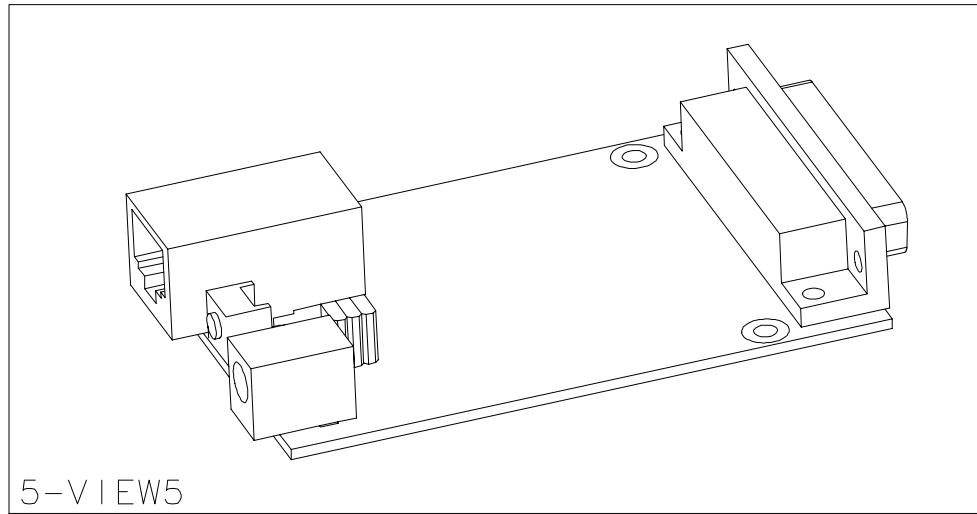
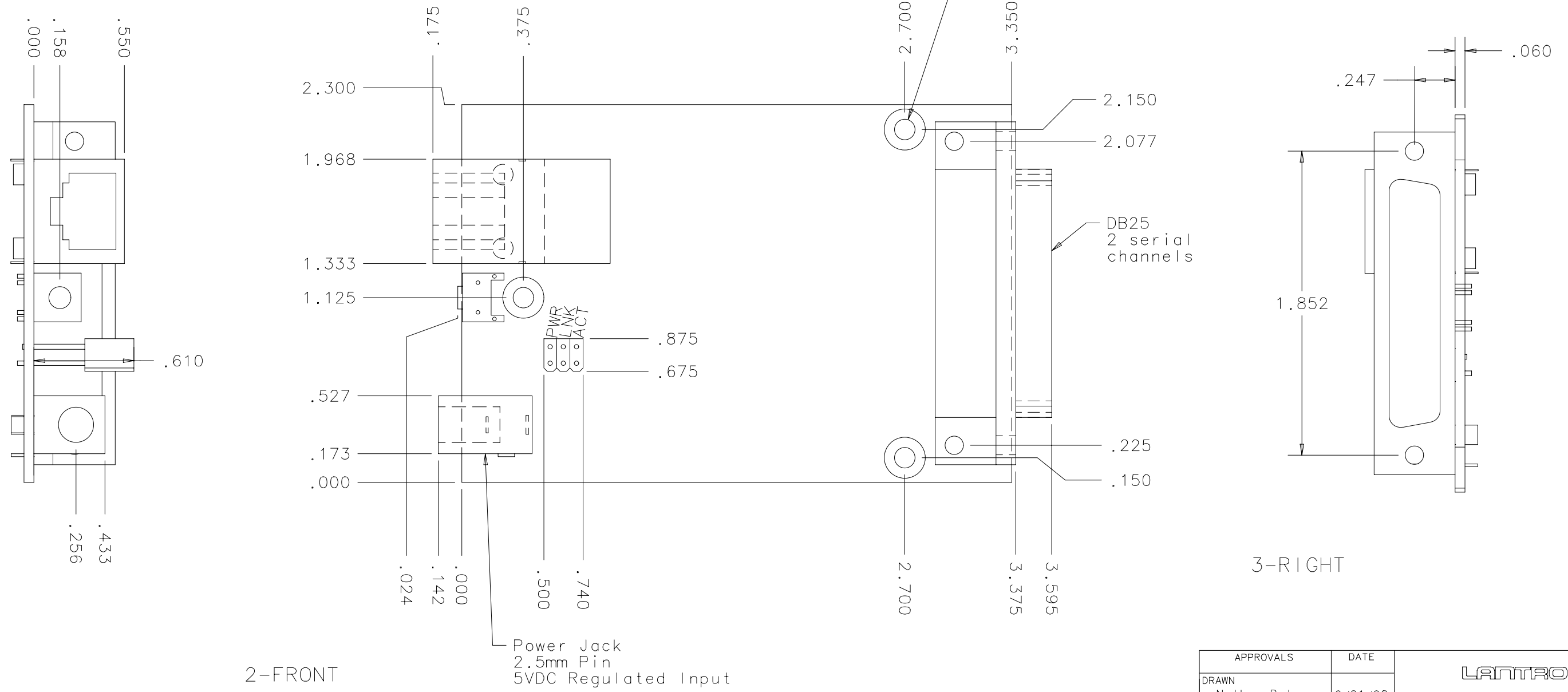


REVISIONS			
REV	DESCRIPTION	DATE	APPROVED
A	Production Release	11/4/98	



5-VIEW5



4-LEFT

2-FRONT

3-RIGHT

NOTES:

- Jumpers are dimensioned to pin 1, .100" pin spacing.
- Tolerances are  $\pm .02$ "

This drawing contains proprietary information and may not be reproduced or used other than for maintenance purposes without prior written permission from an officer of Lantronix

APPROVALS	DATE	LANTRONIX		
DRAWN Nathan Rutman	9/21/98	TITLE Mechanical Layout B uMSS		
OPERATIONS		SIZE B	DWG NO. 330-087-B	REV. B
MANUFACTURING		SCALE 3:2	DO NOT SCALE DRAWING	SHEET 1 OF 1
QUALITY				
APPROVED				