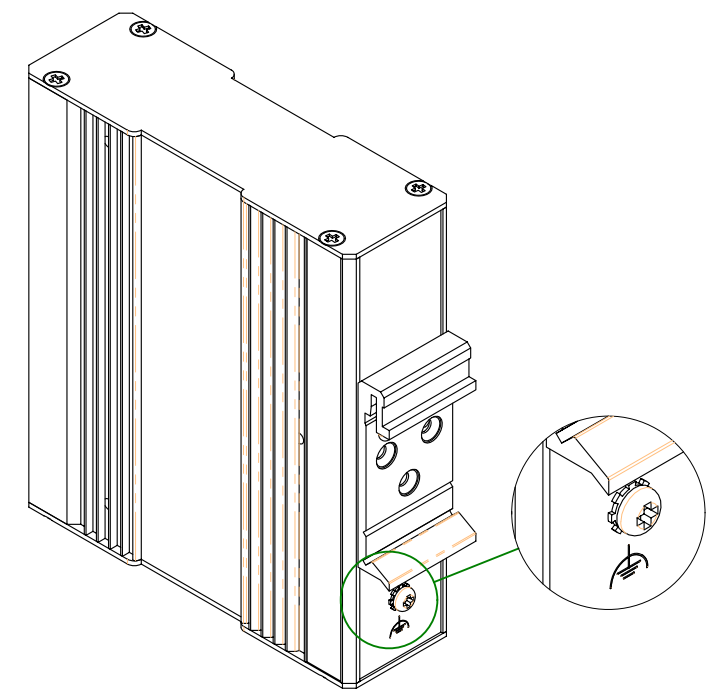
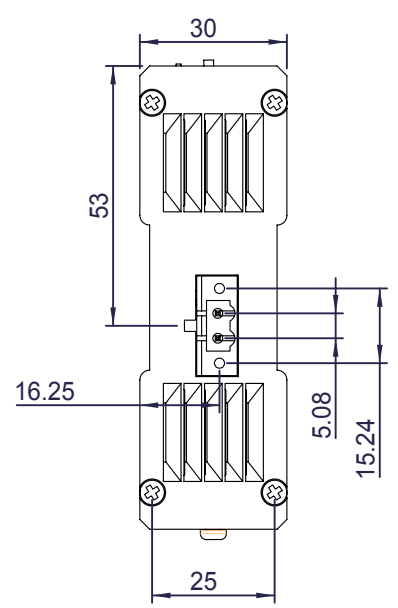
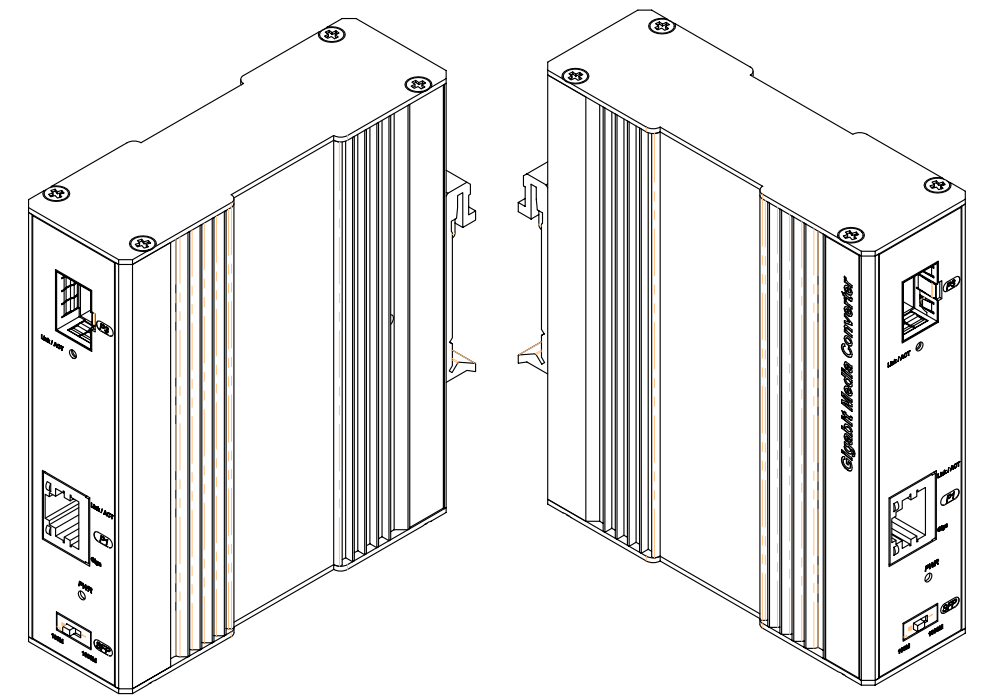
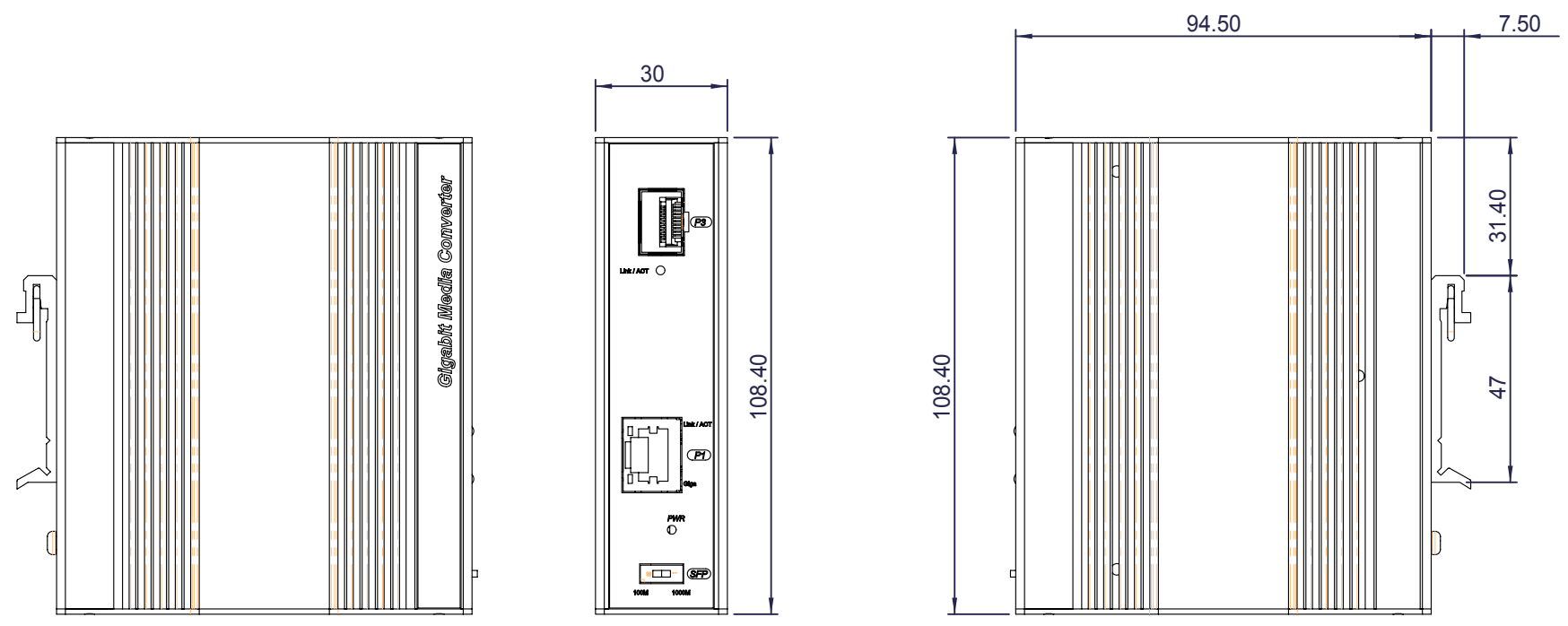


Din Rail

ZONE	MARK	DESCRIPTION	DATE	SIGN
------	------	-------------	------	------

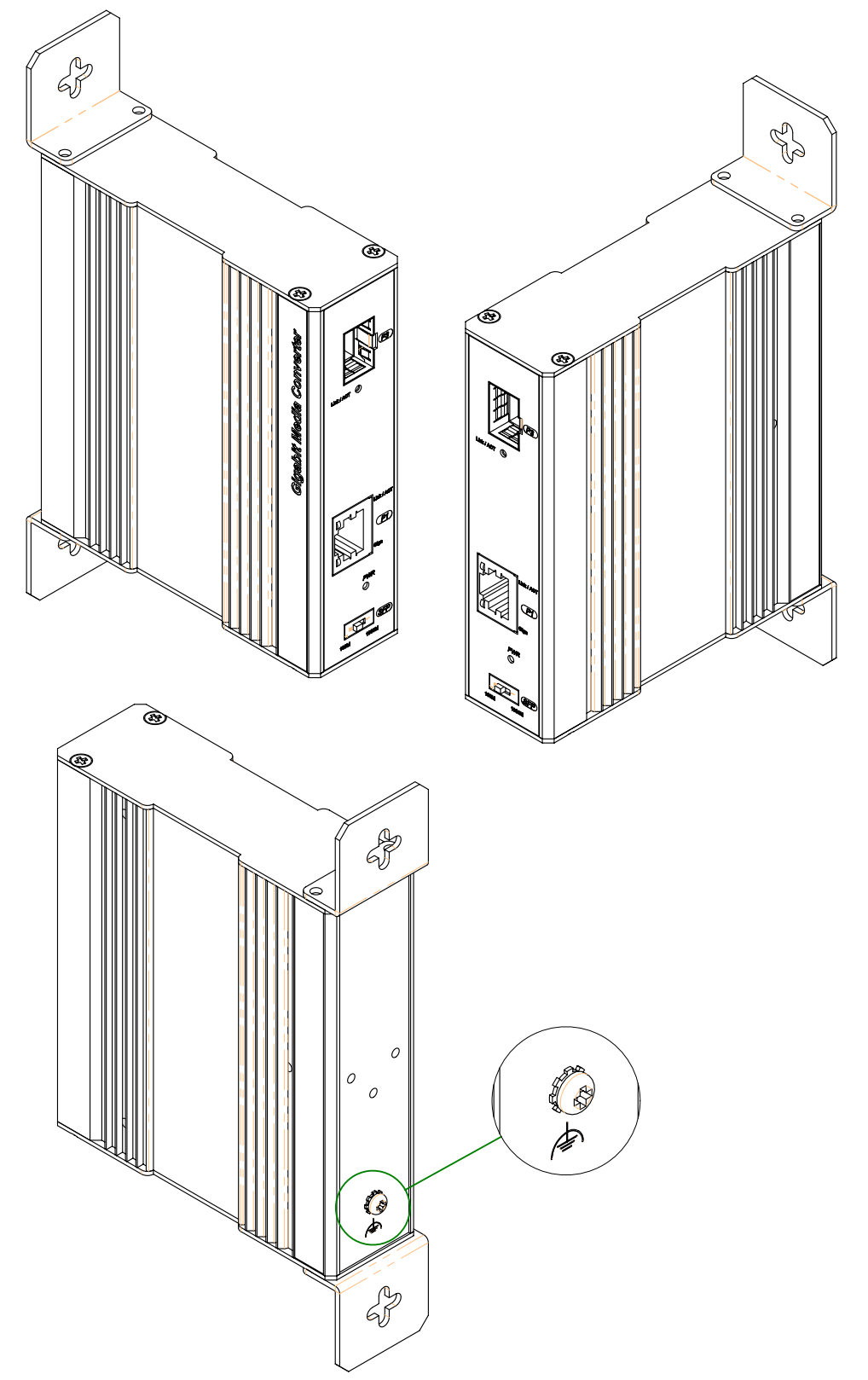
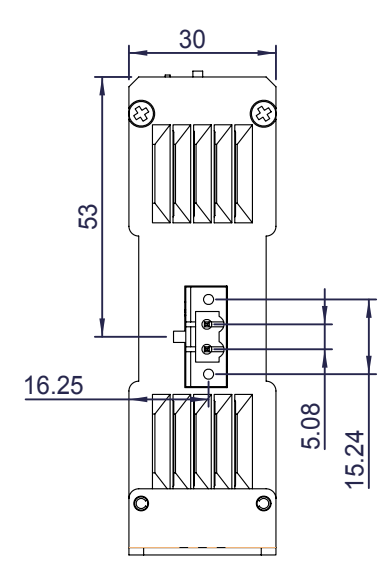
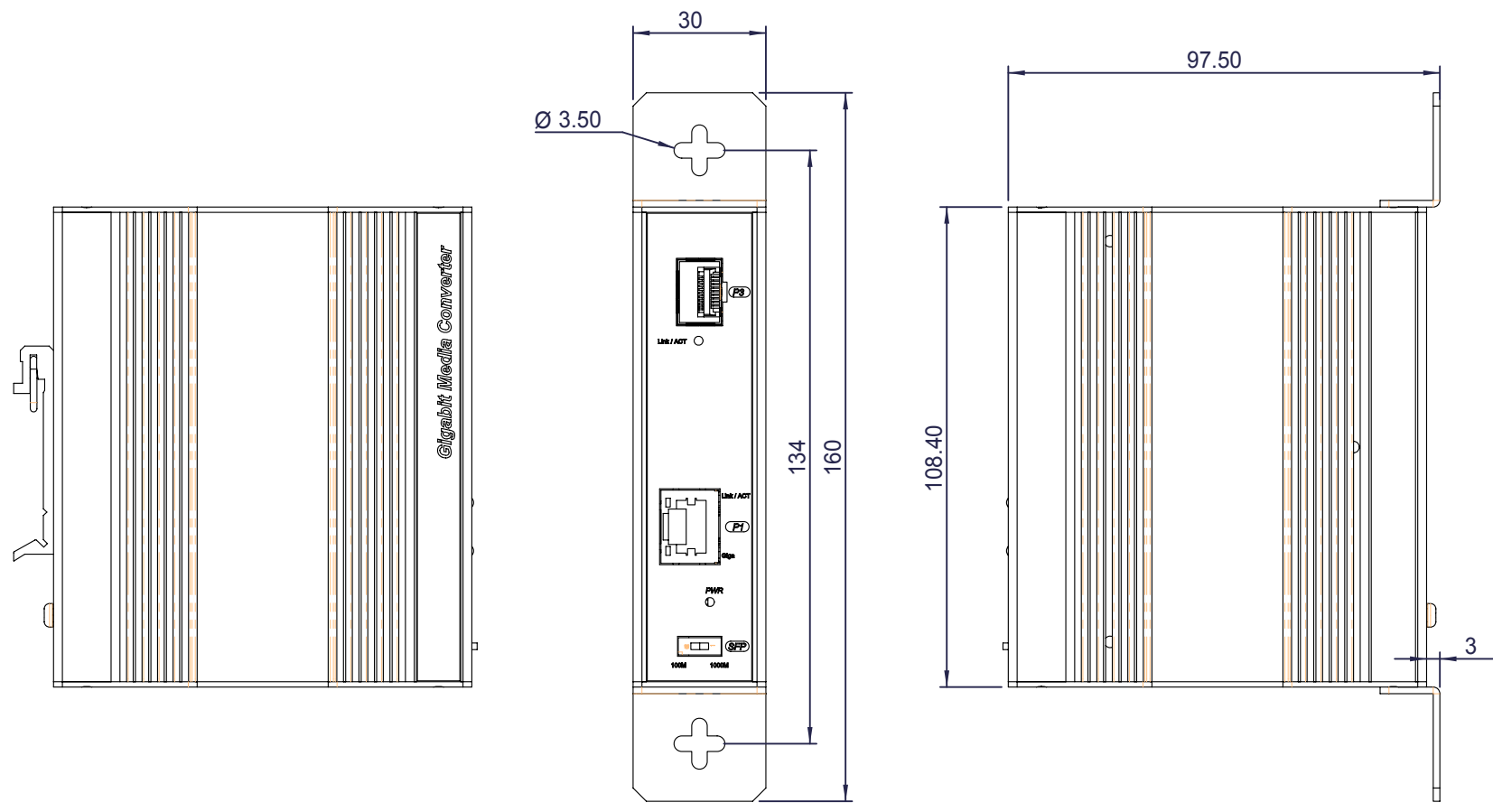


APPROVED		DESCRIPTION/PART NAME	
DRAWER		Outline(Din Rail)	
DESIGNER		MODEL NAME	INTERIOR PART APPEARANCE PART
CHECKED		PART NO.	P/N ADDED CODE
DIMENTIONAL TOLERANCES ±		FILE NAME	REV.
0-5.99		N/A	
6-29.99			
30-79.99			
80-179.99			
180-314.99			
315-800			
ANGLE TOLERANCES		SCALE	UNITS
90° 1.0°		1:1	mm
Other 1.5°		SHEET	SIZE
		1 Of 2	A3

Wall Mount

ZONE	MARK	DESCRIPTION	DATE	SIGN
------	------	-------------	------	------

A
B
C
D
E



APPROVED				DESCRIPTION/PART NAME			
DRAWER				Outline(Wall Mount)			
DESIGNER				MODEL NAME		INTERIOR PART APPEARANCE PART	
CHECKED				PART NO.		P/N ADDED CODE	
DIMENTIONAL TOLERANCES ±		M1	M2	S1	S2	P1	P2
0-5.99		0.05	0.10	0.15	0.20	0.05	0.10
6-29.99		0.10	0.20	0.15	0.25	0.10	0.15
30-79.99		0.15	0.25	0.20	0.30	0.20	0.40
80-179.99		0.15	0.30	0.25	0.45	0.40	0.50
180-314.99		0.20	0.50	0.35	0.60	0.40	0.60
315-800		0.30	0.80	0.50	1.10	0.70	1.00
MATERIAL		N/A					
FINISHING		N/A					
PART NO.		N/A					
FILE NAME		TEST					
REVISION		REV.					
ANGLE TOLERANCES ±		90°	1.0°				
Other		1.5°					
D		L		D=3L/1000 (Max)		THIRD ANGLE PROJECTION	
SCALE		1:1		UNITS		mm	
SHEET		2 Of 2		SIZE		A3	

1 2 3 4 5 6 7 8