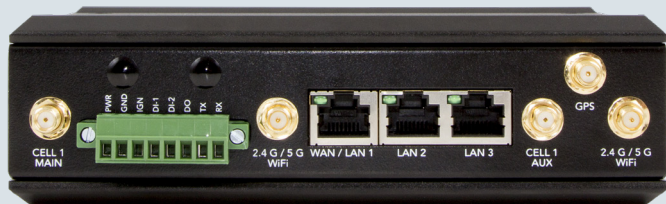


Quick Start **Guide**

NTC-400 Series Router



This quick start guide is designed to get you up and running quickly and familiarise you with the NTC-400 Series router. More advanced set up instructions are provided in the user guide which can be downloaded from <https://www.netcommwireless.com/product/ntc-400>



Package contents

The NTC-400 Series package includes:



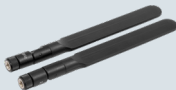
1 x NTC-400 Series Router



1 x Quick Start Guide



2 x Cellular antennas



2 x 2.4GHz / 5GHz
WiFi antennas



2 x Wall mounting
brackets



4 x Wall mounting
bracket screws



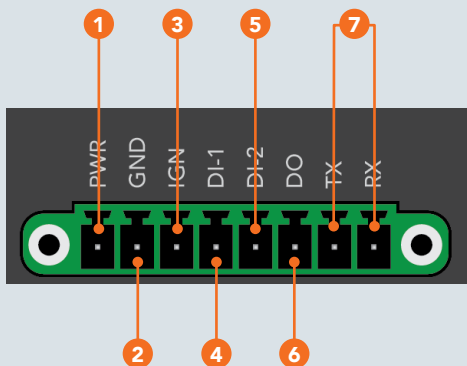
1 x 8-pin Terminal block

Pre-requisites

To complete the installation, you may require certain items such as screwdrivers and fasteners.

Terminal block

The 8-pin Terminal block provides the following interfaces:



1. Power (PWR)
2. Ground (GND)
3. Ignition (IGN)
4. Digital Input 1 (DI-1)
5. Digital Input 2 (DI-2)
6. Digital Output (DO)
7. RS232 Serial (TX/RX)

Power requirements

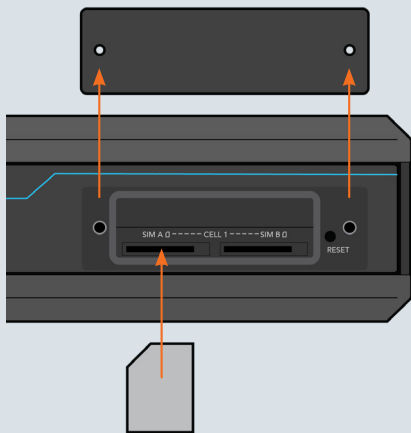
The NTC-400 Series router accepts DC power in the range of 9 V to 36 V. Follow the above illustration to ensure that the power source is connected with the correct polarity.

I/O specifications

MODE	SPECIFICATIONS	
Digital Input (DI-1 and DI-2)	Trigger voltage (high)	Logic level 1: 5 V to 30 V
	Normal voltage (low)	Logic level 0: 0 V to 1.0 V
Digital Output (DO)	Voltage (Relay mode)	Logic level 1: Depends on external device. Maximum voltage is 36 V. Logic level 0: Floating, External pull-down resistor (10 k Ω , 0.5 W) is required. Note: DO power is relayed from the PWR pin on the 8-pin terminal block connector.
	Maximum current	1 Amp @ 12 V, or 0.33 Amp @ 36 V

SIM cards

SIM cards are inserted into the SIM slots located on the front panel of the device. To access the SIM card slots, remove the protective plate using a screwdriver.



NOTE: SIM B is disabled on units purchased through Telstra. On these units, insert the SIM card into slot A.

Configuring the router

The web interface can be accessed via WiFi or Ethernet.

Connecting via WiFi

1. Connect and power up the NTC-400 Series router.
2. On your client device (e.g. laptop, tablet), connect to the SSID labelled "NetComm_2.4GHz_XXXX" or "NetComm_5GHz_XXXX" where "XXXX" is four randomly generated digits. The unique SSID and password for the wireless networks are printed on the back cover of this Quick Start Guide and on the label affixed to the bottom of the device. Enter the WiFi password and then continue to the "Accessing the web interface" section.

Connecting via Ethernet cable

1. Connect and power up the NTC-400 Series router.
2. Connect a standard straight-through Ethernet cable to your client PC and the other end to any of the LAN ports on the back of the NTC-400 Series router. Continue to the "Accessing the web interface" section.

Accessing the web interface

3. In a web browser on your client device, navigate to **http://192.168.20.1**
4. Enter the username and password printed on both the back cover of this Quick Start Guide and on the label affixed to the bottom of the device, then press Enter or the click the Login button. Refer to the User Guide for further configuration instructions.



NOTE: We highly recommend that you secure the WiFi networks upon initial installation and change the password used to access the web interface.

Unlocking the SIM card

If the inserted SIM card is PIN locked, navigate to **Basic Network > WAN & Uplink > WAN Interface IPv4 Network Status > WAN-1 > Edit > Internet Setup > WAN-1 > Edit > Connection with SIM-A / SIM B card > PIN Code** to enter the PIN Code. Click the **Save** button to save your changes.

◆ Connection with SIM-A Card	
Item	Setting
▶ Network Type	Auto ▾
▶ Dial-Up Profile	Auto-detection ▾
▶ IP Type	IPv4 ▾
▶ SIM PIN Code	<input type="text"/> (Optional) <input type="checkbox"/> Show my input on screen
▶ IP Mode	Dynamic IP ▾
▶ Primary DNS	<input type="text"/> (Optional)
▶ Secondary DNS	<input type="text"/> (Optional)
▶ Roaming	<input type="checkbox"/> Enable
▶ PDP header compression control	Off ▾
▶ PDP data compression control	Off ▾

NOTE: SIM B is disabled on units purchased through Telstra. On these units, configure the SIM card in slot A.

Updating the APN

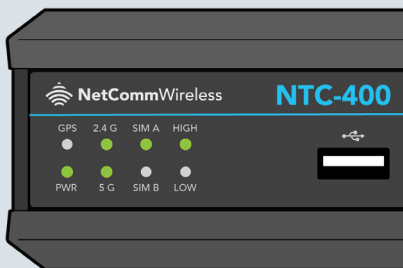
The default connection profiles for both SIM-A and SIM-B are configured for automatic configuration. If you wish to configure the APN manually, navigate to **Basic Network > WAN & Uplink > WAN Interface IPv4 Network Status > WAN-1 > Edit > Internet Setup > WAN-1 > Edit > Connection with SIM-A / SIM B card**, set **Dial-Up Profile** to “Manual-configuration” and enter the APN into the **APN** field. Click the **Save** button to save your changes.

Connection with SIM-A Card	
Item	Setting
▶ Network Type	Auto ▾
▶ Dial-Up Profile	Manual-configuration ▾
▶ APN	<input type="text"/>
▶ IP Type	IPv4 ▾
▶ SIM PIN Code	<input type="text"/> (Optional) <input type="checkbox"/> Show my input on screen
▶ Dial Number	*99# (Optional)
▶ Authentication	Auto ▾
▶ Username	<input type="text"/> (Optional)
▶ Password	<input type="text"/> (Optional)
▶ IP Mode	Dynamic IP ▾
▶ Primary DNS	<input type="text"/> (Optional)
▶ Secondary DNS	<input type="text"/> (Optional)
▶ Roaming	<input type="checkbox"/> Enable
▶ PDP header compression control	Off ▾
▶ PDP data compression control	Off ▾

NOTE: SIM B is disabled on units purchased through Telstra. On these units, configure the SIM card in slot A.

Verifying the connection status

When the NTC-400 Series router is connected to the Internet, the “HIGH” or “LOW” LED on the front of the device lights up to indicate the current signal strength.

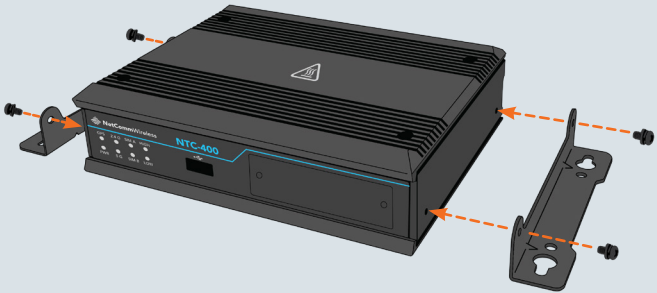


To check the connection status from the web interface, navigate to **Status > Dashboard** and confirm that there is a 3G/4G Interface displayed under the Network Interface Status table.

Network Interface Status					
Interface	Type	Speed	In Traffic	Out Traffic	Total Traffic
eth2	Ethernet	6 (MB)	834 (KB)	17 (KB)	2 (KB)
eth2.1	Ethernet	6 (MB)	624 (KB)	17 (KB)	1 (KB)
br0	Ethernet	6 (MB)	611 (KB)	17 (KB)	1 (KB)
ra0	Wireless LAN	0 (Bytes)	0 (Bytes)	0 (Bytes)	0 (Bytes)
ra10	Wireless LAN	0 (Bytes)	0 (Bytes)	0 (Bytes)	0 (Bytes)
ra7	Wireless LAN	0 (Bytes)	0 (Bytes)	0 (Bytes)	0 (Bytes)
ra17	Wireless LAN	0 (Bytes)	0 (Bytes)	0 (Bytes)	0 (Bytes)
usbnet0	3G/4G	186 (KB)	174 (KB)	13 (Bytes)	281 (Bytes)

Mounting the router

Attach the mounting brackets to the sides of the NTC-400 Series router with the supplied screws as shown below.



Product Warranty

For warranty information please visit

<https://support.netcommwireless.com/warranty-info>

Safety and product care

Please refer to the user guide for safety and product care information.



NetComm

NETCOMM WIRELESS LIMITED ABN 85 002 490 486

Head Office, 18-20 Orion Road
Lane Cove, Sydney, NSW 2066, Australia

p: +61 2 8205 3888

f: +61 2 9424 2010

e: m2msales@netcommwireless.com

www.netcommwireless.com