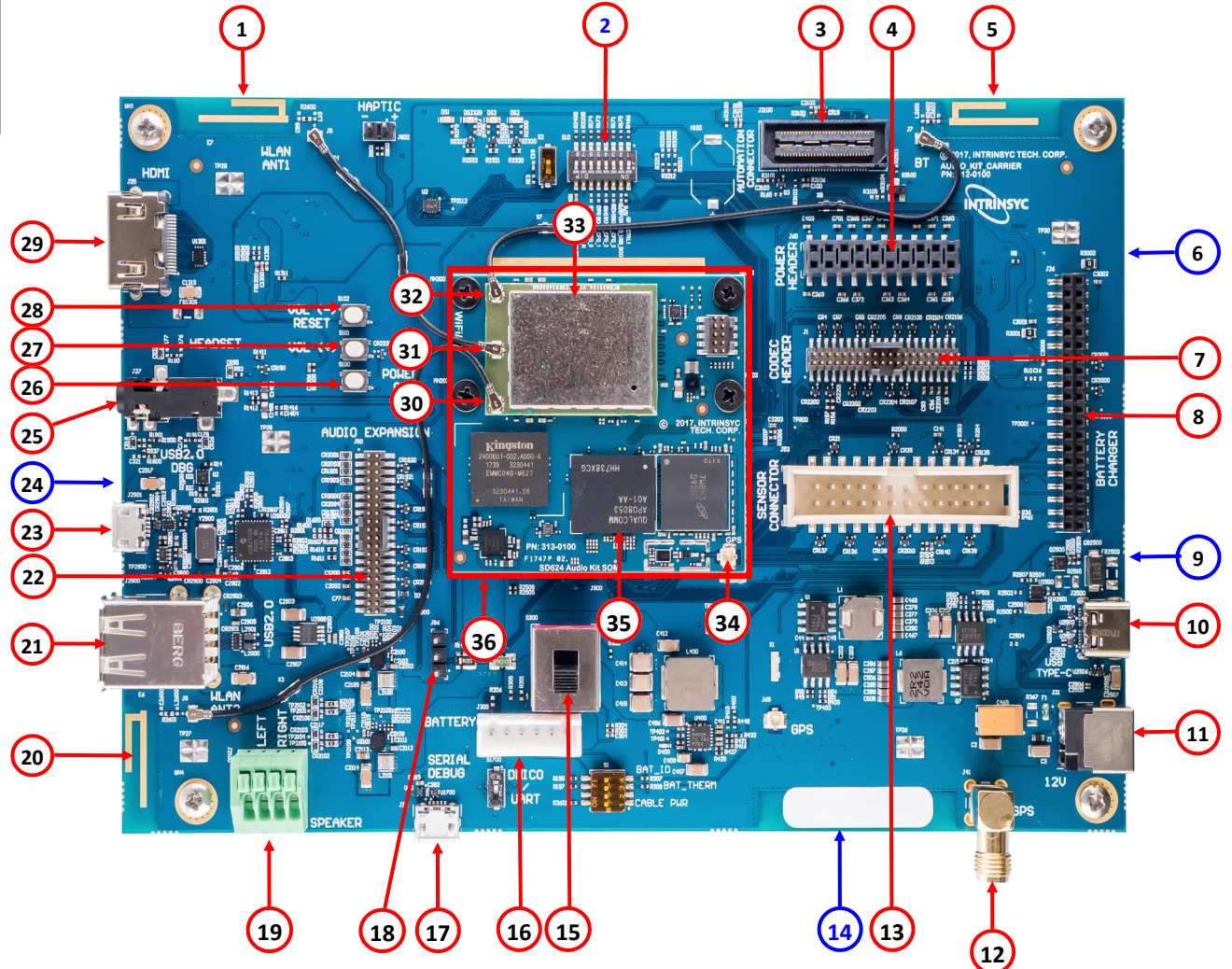


## Package Contents

1. Open-Q™ 624A SOM with Qualcomm® APQ8053-Lite SoC
2. Open-Q™ 624A Carrier Board
3. AC Power Adapter
4. HDMI video cable
5. LCD/Touchscreen (Optional Accessory)
6. Camera Adaptor Board (Optional Accessory)

- |                                    |  |
|------------------------------------|--|
| 1. WLAN Antenna 1 (PCB Trace)      | 23. Micro-USB port (not supported)     |
| 2. Configuration DIP switches      | 24. MIPI-DSI LCD/Display Connector*    |
| 3. Automation Header               | 25. Headset Connector                  |
| 4. Power header                    | 26. Power Button                       |
| 5. BT Antenna (PCB trace)          | 27. Volume + button                    |
| 6. MIPI-CSI Camera 0 Connector*    | 28. Volume - button                    |
| 7. Digital Audio Codec header      | 29. HDMI Connector                     |
| 8. Battery Charging header         | 30. Wi-Fi U.FL Antenna 0 Connector     |
| 9. MIPI-CSI Camera 1 Connector*    | 31. Wi-Fi U.FL Antenna 1 Connector     |
| 10. USB Type-C Connector           | 32. BT U.FL Antenna Connector          |
| 11. 12V DC Power jack              | 33. WLAN/BT Module                     |
| 12. GPS External Antenna Connector | 34. GPS U.FL Antenna Connector         |
| 13. Sensor header                  | 35. APQ8053-Lite                       |
| 14. GPS PCB Antenna*               | 36. Open-Q 624A System on Module (SOM) |
| 15. Power Source Switch (Batt/DC)  |  |
| 16. Battery connector              |  |
| 17. USB Debug UART Micro B         |  |
| 18. Power Probe header             |  |
| 19. Speaker Connector              |  |
| 20. WLAN Antenna 2 (PCB Trace)     |  |
| 21. USB Type-A (Not supported)     |  |
| 22. Audio Expansion Header         |  |

\* ON BOTTOM SIDE



Specifications are subject to change - 895-0024-00 Rev A

Your use of this document is subject to and governed by those terms and conditions, <https://www.intrinsyc.com/legal-terms/qualcomm-terms.html>, in the Intrinsyc Purchase and Software License Agreement for the Open-Q™ 624A Development Kit based on the Qualcomm® APQ8053-Lite SoC, which you or the legal entity you represent, as the case may be, accepted and agreed to when purchasing an Open-Q™ 624A Development Kit from Intrinsyc Technologies Corporation (“Agreement”). You may use this document, which shall be considered part of the defined term “Documentation” for purposes of the Agreement, solely in support of your permitted use of the Open-Q™ 624A Development Kit under the Agreement. Distribution of this document is strictly prohibited without the express written permission of Intrinsyc Technologies Corporation and its respective licensors, which they can withhold, condition or delay in its sole discretion.

Lantronix is a registered trademark of Lantronix, Inc. in the United States and other countries. Intrinsyc is a trademark of Intrinsyc Technologies Corporation, registered in Canada and other countries. Qualcomm is a trademark of Qualcomm Incorporated, registered in the United States and other countries. Other product and brand names used herein may be trademarks or registered trademarks of their respective owners. Qualcomm APQ8053-Lite is a product of Qualcomm Technologies, Inc. and/or its subsidiaries.

## Development Kit Setup

**1. At a static-safe workstation, remove the development kit board carefully from the anti static bag**

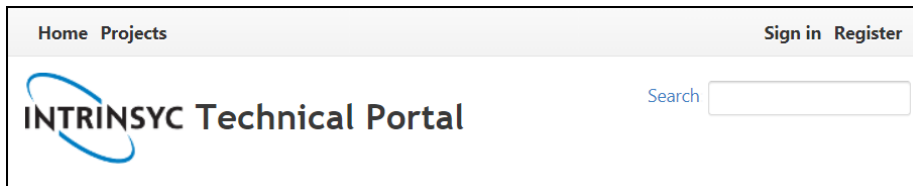
**2. Connect an HDMI monitor to the HDMI output connector (29) with the HDMI cable (unless using the optional LCD/touchscreen)**

**2. Connect the Power Adapter to the 12V DC Jack (11) and then press and hold the ON/OFF button (26) until you see the Intrinsic logo appear on the display (~3 seconds)**

### **3. Documentation and software**

To access the documentation (schematics, user guides, datasheets, programming guides, tech notes...), platform BSP software and much more, please register at:

<http://tech.intrinsyc.com>



## Development Kit Support

Should you require more information or assistance, you can contact us at:

<https://helpdesk.intrinsyc.com>

Intrinsic also provides technical information and videos on Qualcomm processors at:

<https://www.intrinsyc.com/resources>

Should you require additional technical support for your Development Kit you can easily purchase a technical support package from the Intrinsic store:

<http://shop.intrinsyc.com/collections/technical-support-packages>

Thank you for purchasing the Open-Q 624A Development Kit