



# MatchPort® Embedded Device Server Demonstration Kit Quick Start Guide

## Copyright and Trademark

© 2013 Lantronix, Inc. All rights reserved. No part of the contents of this book may be transmitted or reproduced in any form or by any means without the written permission of Lantronix.

Lantronix® and MatchPort® are registered trademarks of Lantronix, Inc. in the United States and other countries. DeviceInstaller™ is a trademark of Lantronix, Inc.

Windows® is a registered trademark of Microsoft Corporation. All other trademarks and trade names are the property of their respective holders.

## Warranty

For details on the Lantronix warranty policy, please go to our Web site at [www.lantronix.com/support/warranty](http://www.lantronix.com/support/warranty).

## Contacts

### **Lantronix, Inc.**

167 Technology Drive  
Irvine, CA 92618, USA  
Toll Free: 800-526-8766  
Phone: 949-453-3995  
Fax: 949-450-7249

### **Technical Support**

Online: [www.lantronix.com/support](http://www.lantronix.com/support)

### **Sales Offices**

For a current list of our domestic and international sales offices, go to the Lantronix web site at [www.lantronix.com/about/contact](http://www.lantronix.com/about/contact)

## Revisions

For the latest revision of this product document, please check our online documentation at [www.lantronix.com/support/documentation](http://www.lantronix.com/support/documentation).

# Contents

Copyright and Trademark	2
Warranty	2
Contacts	2
Revisions	2
<b>Introduction</b>	<b>4</b>
<b>Demonstration Kit Contents</b>	<b>4</b>
<b>What You Need to Know</b>	<b>4</b>
Hardware Address	4
IP Address	4
<b>Connecting a MatchPort Device—Network Method</b>	<b>5</b>
A. Connect to a MatchPort b/g	5
Option 1: Wired connection via Ethernet	5
Option 2: Wireless connection via Access Point or Wireless Router	5
Option 3: Wireless connection via Wireless card (factory default)	6
B. Connect to a MatchPort AR or MatchPort NR	7
Wired connection via Ethernet	7
C. Connect to a MatchPort b/g Pro	7
Option 1: Wired connection via Ethernet	7
Option 2: Wireless connection via Access Point or Wireless Router	8
Option 3: Wireless connection via Wireless card (factory default)	8
<b>Connecting a MatchPort Device—Serial Method</b>	<b>9</b>
<b>Install DeviceInstaller</b>	<b>9</b>
<b>Assign an IP Address</b>	<b>10</b>
<b>Configure Your MatchPort Device</b>	<b>12</b>

## Introduction

Thank you for purchasing the Lantronix® MatchPort® Embedded Device Server Demonstration Kit.

This quick start guide describes the procedures for initial connection to the MatchPort device through either a network connection or serial port.

Once a connection is established you can use the WebManager or command line interface (CLI) for configuration and control.

## Demonstration Kit Contents

- ◆ Ethernet cable 10 ft
- ◆ MatchPort Evaluation Board
- ◆ Antenna - 2.4 GHz 2.15 dbi reverse polarity SMA.
- ◆ 3.3V-wall-mount power supply AC/DC, 1A
- ◆ RS-232, DB9F/F, 10 ft, null modem cable
- ◆ SMA to UFL adapter cable

**Note:** *The MatchPort device must be purchased separately.*

For the latest revision of this product document, please check our online documentation at [www.lantronix.com/support/documentation](http://www.lantronix.com/support/documentation).

## What You Need to Know

### Hardware Address

You need to know the unit hardware address (also known as MAC address) to identify the unit in the DeviceInstaller™ search list. It is on the product label in the format: 00-20-4a-XX-XX-XX, where the XXs are unique numbers assigned to the product.

Hardware Address: 00-20-4a-\_\_\_\_-\_\_\_\_-\_\_\_\_

### IP Address

Your MatchPort device will need a unique IP address on your network. By default, the MatchPort device is assigned an IP address by your DHCP server. If no DHCP server is available, the MatchPort will generate an AutoIP address (169.254.xxx.xxx).

If you are planning to use a static IP address, make note of it. The system administrator generally provides the IP address, subnet mask, and gateway. The IP address must be within a valid range, unique to your network, and in the same subnet as your PC.

**IP Address:** \_\_\_\_\_

**Subnet Mask:** \_\_\_\_\_

**Gateway:** \_\_\_\_\_

## Connecting a MatchPort Device—Network Method

Choose the connection method appropriate for your MatchPort device type then follow the instructions in the corresponding section:

- ◆ MatchPort b/g → wired or wireless → Section A
- ◆ MatchPort AR or MatchPort NR → wired → Section B
- ◆ MatchPort b/g Pro → wired or wireless → Section C

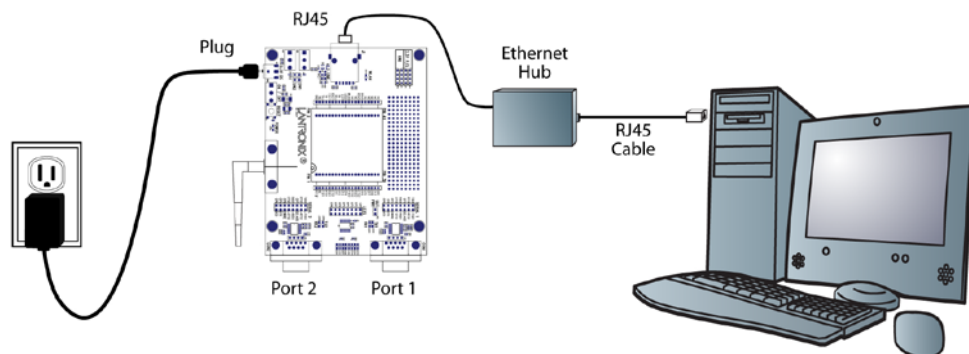
### A. Connect to a MatchPort b/g

You have three options for connecting to a MatchPort b/g:

1. Wired connection via Ethernet cable.
2. Wireless connection via Wireless router (Infrastructure)
3. Wireless connection via Wireless card (AdHoc – factory default)

#### Option 1: Wired connection via Ethernet

1. Connect the PC to the MatchPort Evaluation Board with a cross-over cable or a hub/switch and two RJ45 cables. Make sure there is no router between the PC and the Evaluation Board.



2. Select the appropriate power plug adaptor for your geographical location. Insert it into the slot on the Universal Power Supply; then plug the power supply into an outlet.
3. Connect the power supply to the MatchPort Evaluation Board.
4. Move the power switch on the Evaluation Board to **ON**.

This is the last step in 'connection.' The MatchPort is ready for configuration

5. Continue with [Install DeviceInstaller on p. 10](#).

#### Option 2: Wireless connection via Access Point or Wireless Router

1. Ensure the PC communicates with the access point (AP) or wireless router (WR) and that the AP or WR is running correctly.
2. Ensure the PC is on the LAN (not the WAN) side of the AP or WR.
3. Make sure there is no other router between the PC and the AP or WR.
4. Change the AP or WR configuration as follows:
  - a. Set the Network name (SSID) to **LTRX\_IBSS**.
  - b. Disable all wireless security (no encryption, no/open authentication).

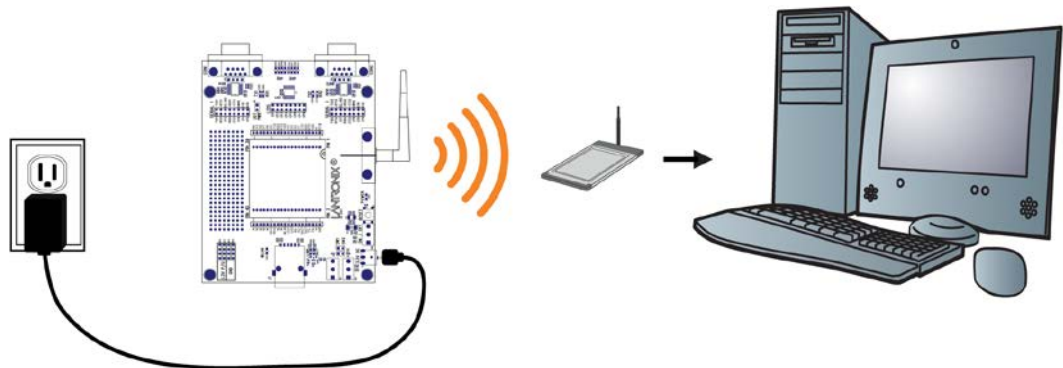
5. Select the appropriate power plug adaptor for your geographical location. Insert it into the slot on the Universal Power Supply; then plug the power supply into an outlet.
6. Connect the output plug of the power supply to the MatchPort Evaluation Board.
7. Move the power switch on the Evaluation Board to **ON**.

This is the last step in 'connection.' The MatchPort is ready for configuration

8. Continue with [Install DeviceInstaller on p. 10](#).

### **Option 3: Wireless connection via Wireless card (factory default)**

1. Ensure the wireless card is running correctly. Change the wireless card configuration as follows:
  - a. Set Network name (SSID) to **LTRX\_IBSS**.
  - b. Select **AdHoc** network.
  - c. Disable all wireless security (no encryption, no/open authentication).
2. Select the appropriate power plug adaptor for your geographical location. Insert it into the slot on the Universal Power Supply; then plug the power supply into an outlet.
3. Connect the output plug of the power supply to the MatchPort Evaluation Board.



The final setup should look like this:

#### **Wireless Connection**

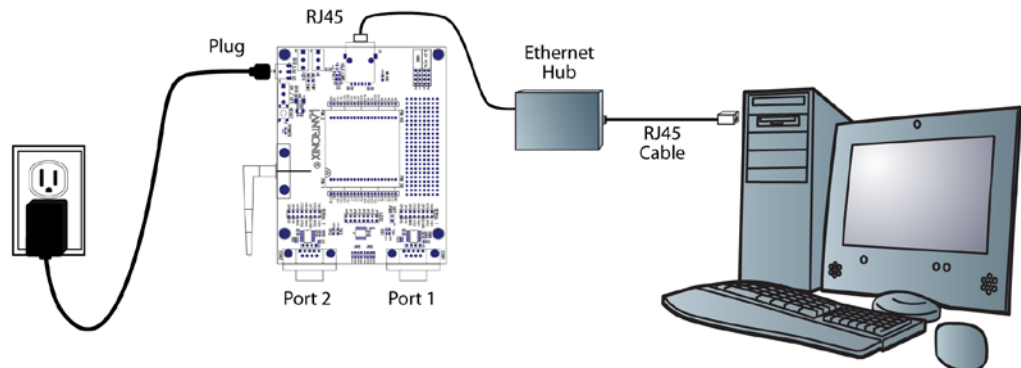
4. Move the power switch on the Evaluation Board to **ON**.  
This is the last step in 'connection.' The MatchPort is ready for configuration
5. Continue with [Install DeviceInstaller on p. 10](#).

## B. Connect to a MatchPort AR or MatchPort NR

You have only one option for connecting to a MatchPort AR or MatchPort NR:

### Wired connection via Ethernet

1. Connect the PC to the Evaluation Board with a cross-over cable or a hub/switch and two RJ45 cables. Make sure there is no router between the PC and the Evaluation Board.



2. Select the appropriate power plug adaptor for your geographical location. Insert it into the slot on the Universal Power Supply; then plug the power supply into an outlet.
3. Connect the output plug of the power supply to the Evaluation Board.
4. Move the power switch on the Evaluation Board to **ON**.  
This is the last step in 'connection.' The MatchPort device is ready for configuration
5. Continue with [Install DeviceInstaller on p. 10](#).

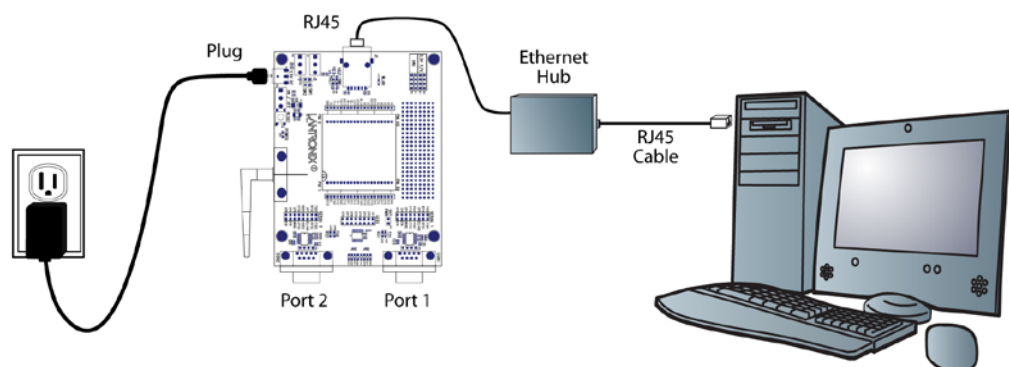
## C. Connect to a MatchPort b/g Pro

You have three options for connecting to a MatchPort b/g Pro:

1. Wired connection via Ethernet cable.
2. Wireless connection via Wireless router (Infrastructure)
3. Wireless connection via Wireless card (Adhoc – factory default)

### Option 1: Wired connection via Ethernet

1. Connect the PC to the MatchPort Evaluation Board with a cross-over cable or a hub/switch and two RJ45 cables. Make sure there is no router between the PC and the Evaluation Board.



2. Select the appropriate power plug adaptor for your geographical location. Insert it into the slot on the Universal Power Supply; then plug the power supply into an outlet.
3. Connect the output plug of the power supply to the MatchPort Evaluation Board.
4. Move the power switch on the Evaluation Board to **ON**.

This is the last step in 'connection.' The MatchPort device is ready for configuration

5. Continue with [Install DeviceInstaller on p. 10](#).

### **Option 2: Wireless connection via Access Point or Wireless Router**

1. Ensure the PC communicates with the access point (AP) or wireless router (WR) and that the AP or WR is running correctly.
2. Ensure the PC is on the LAN (not the WAN) side of the AP or WR.
3. Make sure there is no other router between the PC and the AP or WR.
4. Change the AP or WR configuration as follows:
  - d. Set the Network name (SSID) to the **default\_infrastructure\_profile**.
  - e. Disable all wireless security (no encryption, no/open authentication).
5. Select the appropriate power plug adaptor for your geographical location. Insert it into the slot on the Universal Power Supply; then plug the power supply into an outlet.
6. Connect the output plug of the power supply to the MatchPort Evaluation Board.
7. Move the power switch on the Evaluation Board to **ON**.

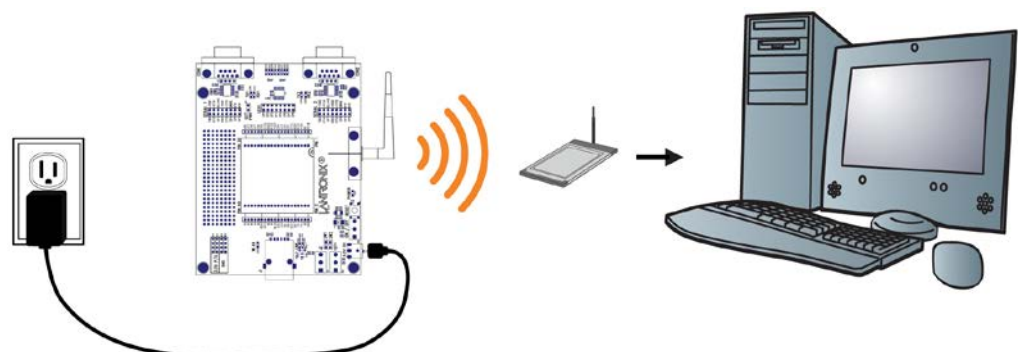
This is the last step in 'connection.' The MatchPort is ready for configuration

8. Continue with [Install DeviceInstaller on p. 10](#).

### **Option 3: Wireless connection via Wireless card (factory default)**

1. Ensure the wireless card is running correctly. Change the wireless card configuration as follows:
  - a. Set Network name (SSID) to **default\_adhoc\_profile**.
  - b. Select **AdHoc** network.
  - c. Disable all wireless security (no encryption, no/open authentication).
2. Select the appropriate power plug adaptor for your geographical location. Insert it into the slot on the Universal Power Supply; then plug the power supply into an outlet.

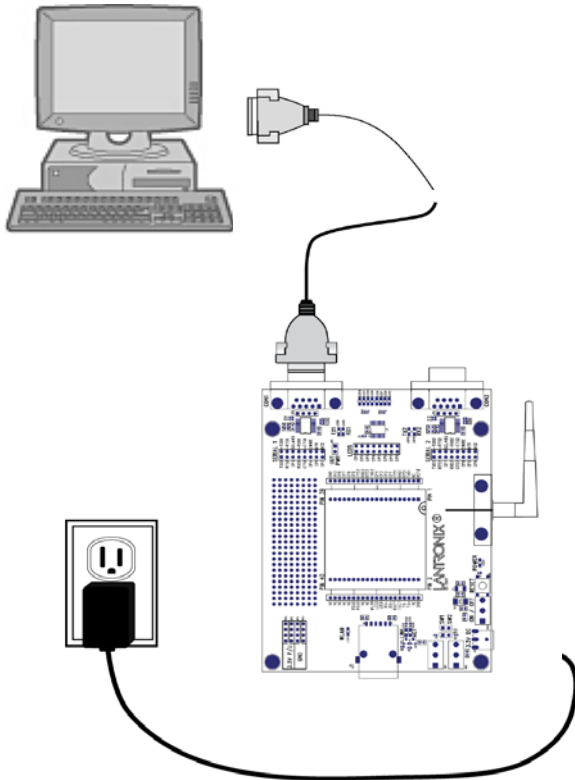
The final setup should look like this:





3. Move the power switch on the Evaluation Board to **ON**.
4. This is the last step in 'connection.' The MatchPort is ready for configuration
5. Continue with [Install DeviceInstaller on p. 10](#).

## Connecting a MatchPort Device— Serial Method



In the event that the equipment required for a network connection is not available for the initial configuration of the MatchPort device, the serial method can be used.

1. Connect one end of the supplied DB9F/F serial cable to the serial port on the laptop or desktop.
2. Connect the other end of the supplied DB9F/F serial cable to Port 1 on the MatchPort device.
3. Select the appropriate power plug adaptor for your geographical location. Insert it into the slot on the Universal Power Supply; then plug the power supply into an outlet.
4. Connect the output plug of the power supply to the MatchPort Evaluation Board. The final serial connection setup should look like this:
5. Move the power switch on the Evaluation Board to **ON**.
6. This is the last step in 'connection.' The MatchPort is ready for configuration.
7. Refer to the *MatchPort User Guide* for information on configuring the MatchPort using this method.

## Install DeviceInstaller

Use DeviceInstaller to configure the IP address and other network parameters.

**Note:** You will need a Windows PC running Lantronix DeviceInstaller 4.2 or higher.

1. Download the latest version of DeviceInstaller from [www.lantronix.com/downloads](http://www.lantronix.com/downloads).
2. Run the executable to start the installation process
3. Respond to the installation wizard prompts. (If prompted to select an installation type, select **Typical**.)

**Note:** For more information about DeviceInstaller, see the [DeviceInstaller Online Help](#).

## Assign an IP Address

The unit IP address is set for DHCP by default at the factory. The hardware address is on the product label. Assign a static IP address if you do not want the network to assign an IP address to the MatchPort or do not have a DHCP server on the network.

1. Click **Start**→**Programs** → **Lantronix**→**DeviceInstaller**→**DeviceInstaller**. If your PC has more than one network adapter, a message appears. Select an adapter and click **OK**.
2. Click the **Search** icon and select the unit from the list of Lantronix device servers on the local network. (In case no DHCP server is available, it can take 30 seconds before an AutoIP address is generated and the unit is detectable).

3. Click the **Assign IP** icon .
4. Select Assign a specific IP address and click **Next**.

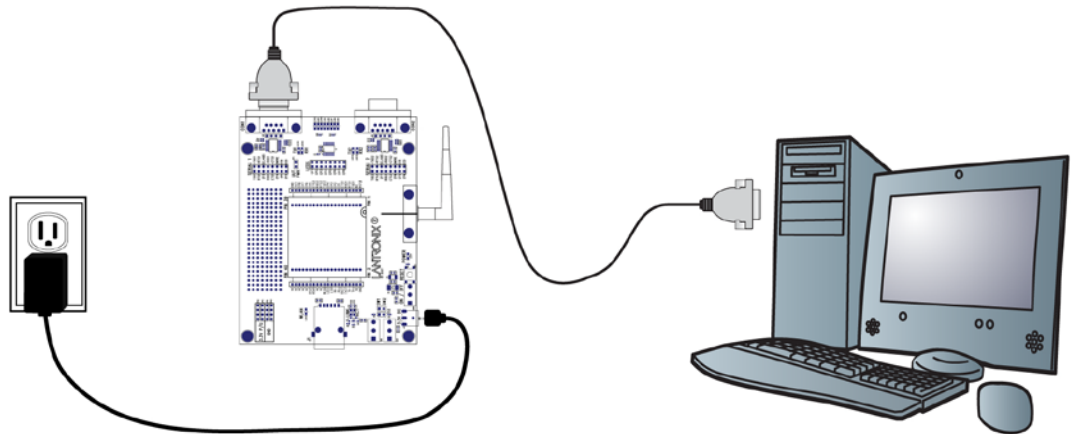
**Assignment Method**

Would you like to specify the IP address or should the unit get its settings from a server out on the network?

Obtain an IP address automatically

Assign a specific IP address

5. Enter the **IP address**.  
The Subnet mask appears automatically based on the IP address.  
You may change it. On a local network, you can leave the Default gateway blank (all zeros).



**IP Settings**

Please fill in the IP address, subnet, and gateway to assign the device. The subnet will be filled in automatically as you type, but please verify it for accuracy. Incorrect values in any of the below fields can make it impossible for your device to communicate, and can cause network disruption.

IP address:

Subnet mask:

Default gateway:

6. Click **Next**.
7. Click **Assign** and wait several seconds until a confirmation message appears.
8. Click **Finish**.
9. Select the MatchPort device from the main window list and click **Tools**→**Ping**. The results appear in the Status area.

IP Address:

Status:

```
Reply from 172.19.238.20: bytes=60 time=0ms TTL=64
Reply from 172.19.238.20: bytes=60 time=0ms TTL=64
Reply from 172.19.238.20: bytes=60 time=0ms TTL=64
Reply from 172.19.238.20: bytes=60 time=0ms TTL=64
```

10. Click **Clear Status** to clear the window to ping the device again.


**Note:** If you do not receive “Reply” messages, ensure the IP address assigned is valid for the particular network segment you are working with. For a wireless unit, ensure the MatchPort device is visible on the network created by the laptop or desktop PC’s wireless card.


11. Click **Close**.

## Configure Your MatchPort Device

From DeviceInstaller it is easy to start the Lantronix browser-based tool, “Web Manager” to configure the MatchPort device. For detailed information on Web Manager configuration and on other methods, see the *MatchPort User Guide*.

1. In DeviceInstaller, select the unit and then the Web Configuration tab. Press the Go icon. The Lantronix Web Manager login window appears.
2. Enter your user name and password and click **OK**. For the MatchPort AR and MatchPort b/g Pro, the default user name is **admin** and the default password is **PASS**. The MatchPort b/g and MatchPort NR do not have a default user name or password, so just click **OK**.
3. Use the menu on the left to navigate to sub-pages where you can configure the MatchPort device.
4. Commit any changes as follows:

 MatchPort b/g & MatchPort NR: When you are finished, click Apply Settings.

 **MatchPort AR & b/g Pro:** Every sub-page has a **Submit** button that immediately stores and applies the new settings. Some network settings require a reboot to become effective. Wireless pages also have an **Apply WLAN** button that only applies the new settings but does not store them in FLASH.