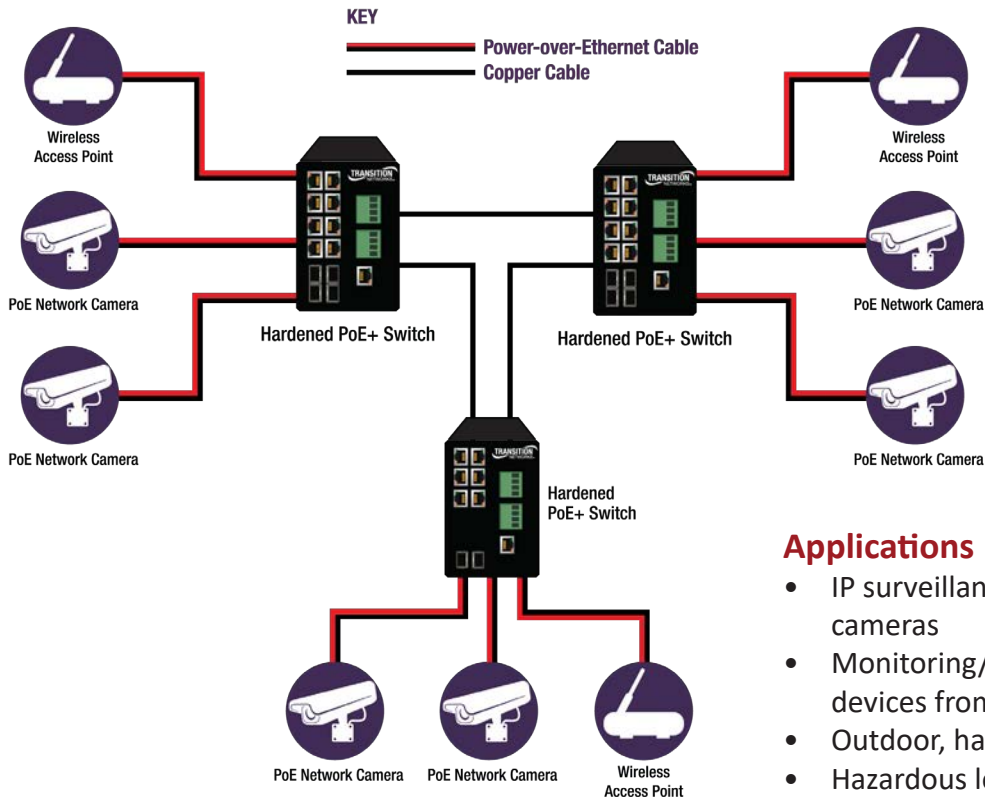


# Managed Hardened PoE+ Switches with Device Management System (DMS)



## Applications

- IP surveillance, supplying power and data to IP cameras
- Monitoring/managing attached powered devices from various vendors
- Outdoor, hardened environment
- Hazardous locations such as Oil & Gas manufacturing facilities

## Features

G.8031 and G.8032

Class 1 Div 2 Certified

DI/DO

Direct Management of Attached PD

Network Diagnostics

Network Monitoring

Views

DHCP per Port

LLDP-MED

## Benefits

Provides industry standard network protection and redundancy while ensuring compatibility among different equipment vendors

Designed to withstand hazardous locations to ensure reliable operation in Oil & Gas and chemical manufacturing networks

Digital Input (DI) can integrate the sensors into the auto alarm system and transfer the alarm through the IP network to save cabling efforts. With Digital Output (DO), the switch can support additional physical contact to trigger alarm

Provides the capability of direct management and control of the attached devices from the embedded DMS

Enabled the switch with enhanced diagnostics including IP connectivity and physical layer cabling checks and tests

An easy way to make health checking of PDs with ICMP ping “keep alive” and auto-alarming for exceeded thresholds with the real-time graphical monitoring of traffic and statistics offered by DMS

Topology View, Floor View, Google Maps View

Simplifies the installation and maintenance of PDs, by ensuring that the same IP address is always assigned to the device connected to the same port, even if the device is replaced

Allows the end-point devices to exchange power related information including power priority and power value of the powered device

# SISPM1040-384-LRT-C & SISPM1040-362-LRT



Specifications	SISPM1040-384-LRT-C	SISPM1040-362-LRT
Connectors	(8) 10/100/1000Base-T PoE+ Ports + (4) 100/1000Base-X SFP Slots	(4) 10/100/1000Base-T PoE+ Ports + (2) 100/1000Base-X SFP Slots
Backplane	24 Gbps	16 Gbps
Power Input	44 - 57VDC (>52V for 802.3at PoE+ recommended, >48V for IEEE 802.3af PoE recommended); Dual inputs Terminal Block	48 - 57 VDC; Redundant input
PoE	Max PoE budget 240 Watts 30 Watts for (8) ports simultaneously	Max PoE budget 120 Watts 30 Watts for (4) ports simultaneously
Weight	2.2 lbs. [1.0 kg]	2 lbs. [0.9 kg]
MTBF	92,110 hours	100,874 hours

## All Managed Hardened PoE+ Switches

Standards	IEEE 802.3, IEEE 802.3u, IEEE 802.3z, IEEE 802.3ab, IEEE 802.3x, IEEE 802.3ad, IEEE 802.1p, IEEE 802.1Q, IEEE 802.1w, IEEE 802.1s, IEEE 802.1X, IEEE 802.1AB, IEEE 802.1ad, IEEE 802.3af, IEEE 802.3at, IEEE 802.3ah, IEEE 802.1ag, IEEE 802.1D, IEEE 1588 v2, ITU-T Y.1731, ITU-T G.8031, ITU-T G.8032, IEC62439-2
PoE Standards	IEEE 802.3af, IEEE 802.3at
Protocols	CSMA/CD
Technology	Store-and-Forward switching architecture
MAC Address	8K
Dimensions	Width: 2.4" [62 mm], Depth: 5.3" [135 mm], Height: 5.4" [130 mm]
Ingress Protection	IP30
Environment	Operating: -40°C to +75°C Storage: -40°C to 85°C Humidity: 5% to 95% (non-condensing) Altitude: 0 - 10,000 ft.
Certifications	EMI: CE, FCC Part 15, EN61000-4-2, EN61000-4-3, EN-61000-4-4, EN61000-4-5, EN61000-4-6, EN61000-4-8, IEC60068-2-32 (Free fall), IEC60068-2-27 (Shock), IEC60068-2-6 (Vibration), NEMA TS-2; Safety: IEC62368-1/EN62368-1, UL Class 1/Div 2
Compliant* (Designed to Meet)	EN50155, EN50121-4, DNV, IEC61850-3, IEEE1613 *Please <a href="#">contact sales</a> for certification needs

Switches