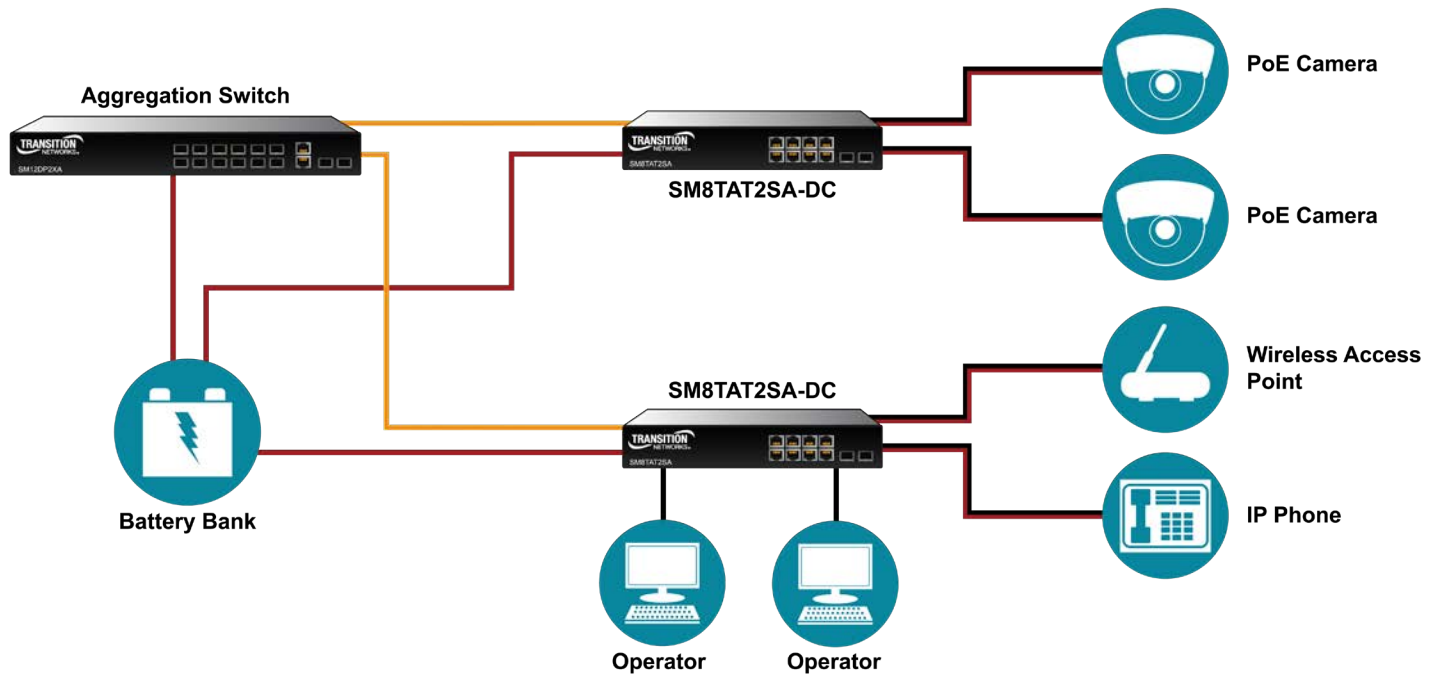


# DC-Powered Smart Managed PoE+ Switch with Device Management System (DMS)



## Applications

- IP surveillance, supplying power and data to IP cameras
- Connecting and remotely powering wireless access points
- Monitoring/managing attached powered devices from various vendors

## Features

## Benefits

48 – 54VDC Power Input	Allows the user to deploy the PoE+ switch in the field without AC power input
Fan-less Design	Reliable, less noisy for deployment in offices
Slim Form Factor	Easily fits into existing cabinets with limited space
IEEE 802.3at PoE+	Supplies up to 30 Watts per port and automatically detects PoE devices and their power class
Auto Power Reset (APR)	Automatically monitors and reset PDs when no response to ICMP
PoE Scheduling	The capability to enable/disable PoE Power feeding of each PoE++ port for certain time slots, increases security to power off the PDs which should not be used during non-business hours, helps Enterprises to save energy and cost
LLDP-MED	Allows the end-point devices to exchange power related information including power priority and power value of the powered device
Device Management System (DMS)	A unique set of value-added features and capabilities that provide security integrators with lower overall cost, less downtime, and easier management and maintenance of the entire PoE++ network.

## DC-Powered Smart Managed Gigabit Ethernet PoE+ Switch

(8) 10/100/1000Base-T Ports + (2) 100/1000Base-X SFP Slots



This switch is a next generation smart managed switch with 20Gbps switching capacity. It provides (8) 10/100/1000Base-T copper ports with IEEE 802.3at PoE+ capability and (2) additional 100/1000 dual speed SFP slots. The embedded Device Management System (DMS) software provides the benefits of ease of use in IP surveillance, Wireless Access Point and other applications. The DMS capability built into the switch provides time-saving features enabling security integrators or network administrators to establish and document a baseline deployment, automatically discover and remotely configure attached IP-powered devices (PDs).

### Features

- IPv6 Access Management
- Support Jumbo Frame up to 9K bytes
- Authentication – RADIUS, TACACS+
- DHCP Relay, DHCP Snooping, DHCP Server
- L2/L3/L4 ACLs Support MAC ACL, IP standard/extended ACL
- LLDP (Link Layer Discovery Protocol)
- IEEE 802.3az Energy Efficiency
- IP Source Guard, Port Security
- Syslog
- Fanless Design

### PoE Features

- Compliant with IEEE 802.3at PoE+
- Compliant with IEEE 802.3af PoE
- PoE configuration
- Auto Power Reset (APR)

### Device Management System (DMS)

- Graphical Monitoring – Topology view, Floor view, Map view
- Traffic Monitoring
- Troubleshooting – Network diagnostic, protection mechanism, performance and link management

### Specifications

Standards	IEEE 802.3 IEEE 802.3u IEEE 802.3z IEEE 802.3ab IEEE 802.3x IEEE 802.3ad IEEE 802.1D IEEE 802.1w IEEE 802.1s IEEE 802.1Q IEEE 802.1p IEEE 802.1ad IEEE 802.1AB IEEE 802.3af IEEE 802.3at IEEE 802.3az
Connectors	(8) 10/100/1000 RJ-45 ports (2) 100/1000 SFP slots
Protocols	CSMA/CD
Technology	Store-and-Forward switching architecture
MAC Address	8K MAC address table
Backplane	20 Gbps
Dimensions	Width: 8.66" [220 mm] Depth: 9.53" [242 mm] Height: 1.73" [44 mm]
Power Input	+52 to +54VDC or -52 to -54VDC
Power Consumption	140 Watts (full load with PoE)
Power-over-Ethernet	Max PoE budget 130 Watts 30 Watts for (4) ports simultaneously 15.4 Watts for (8) ports simultaneously
Environment	Operating: 0°C to +50°C Humidity: 10% to 90% (non-condensing)
Weight	2.2 lbs. [1.0 kg]
Certifications	Safety: EN60950, UL/cUL Listed
Warranty	Lifetime

### Ordering Information

**SM8TAT2SA-DC**  
(8) 10/100/1000Base-T ports  
+ (2) 100/1000Base-X SFP slots  
(includes 19" rack mount brackets)  
+52 to +54VDC or -52 to -54VDC

**Optional Accessories** (sold separately)

**SFP Modules**

**Optional Power Supplies**  
(sold separately)

**25104**  
Input: 85-264 VAC, 124-370 VDC  
Output: 48 ~ 55 VDC, 5A, 240 Watts

**25105**  
Input: 85-264 VAC, 124-370 VDC  
Output: 48~55 VDC, 2.5A, 120 Watts

**Mounting Brackets** (sold separately)

**RMSM8-02**  
23" Rack Mount Kit

### Software Features

- Management: Web Management, SNMP V1/V2c/V3, Telnet, CLI
- Port Trunk: Supports IEEE 802.3ad port trunk with link aggregation control protocol (LACP) and static trunk
- Multicast: Support IGMP Snooping V1/V2, MVR, MLD Snooping V1/V2
- Quality of Service: Supports 8 hardware queues. Strict priority and WRR, Ingress policer, Egress shaping and per port rate limiting
- Spanning Tree: Supports IEEE 802.1s MSTP, IEEE 802.1w RSTP and IEEE 802.1D STP Compliant
- VLAN: Port Based VLAN, IEEE 802.1Q tag-based, up to 4k VLAN entries, QinQ, MAC based VLAN, Private VLAN
- Firmware Update through TFTP and HTTP