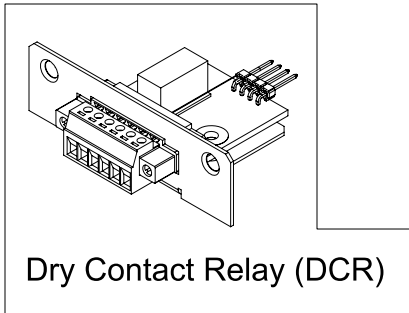


# IONDCR (Dry Contact Relay) Kit Installation Instructions



Part No: IONDCR



5. Position the DCR at the power supply slot, as shown in Figure 2.

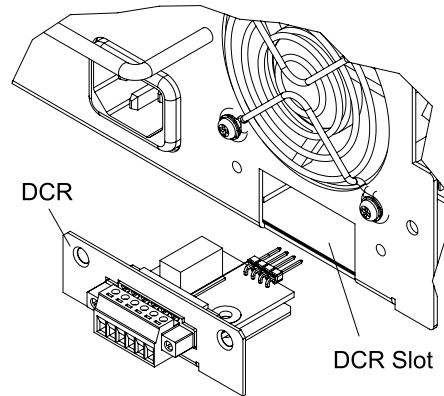


Figure 2: DCR Insertion Position

6. Carefully slide the DCR completely into the slot, aligning the DCR 4-pin right-angle header to the socket on the power supply PC board, as shown in Figure 3.

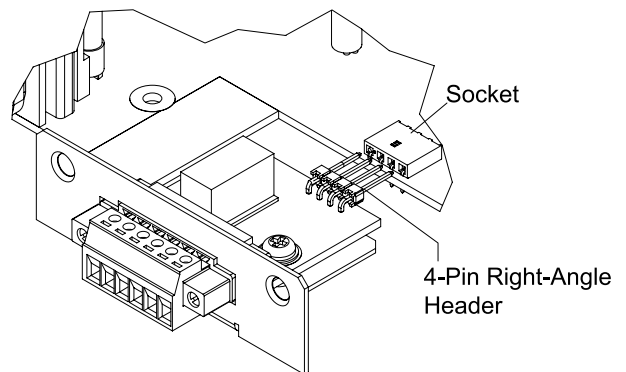


Figure 3: 4-PIN Right-Angle Header to Socket Insertion

## INSTALLATION PROCEDURE

*To install the DCR, do the following:*

1. Disconnect power to the power supply.
2. Remove the two screws holding the power supply to the chassis—keep the screws.
3. Remove the power supply from the chassis.
4. Remove the two screws holding DCR Blank Plate to the power supply, shown in Figure 1—keep the screws.

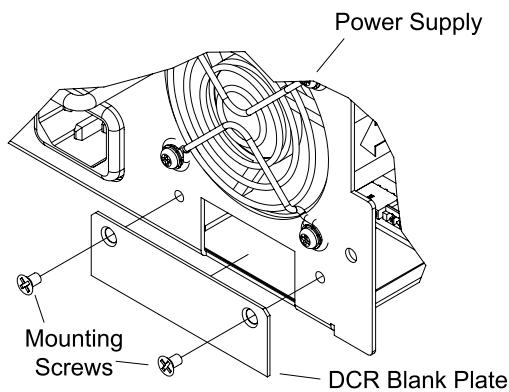


Figure 1: Removing Blank Plate

7. Insert and tighten the two screws to secure the DCR to the power supply chassis, as shown in Figure 4.

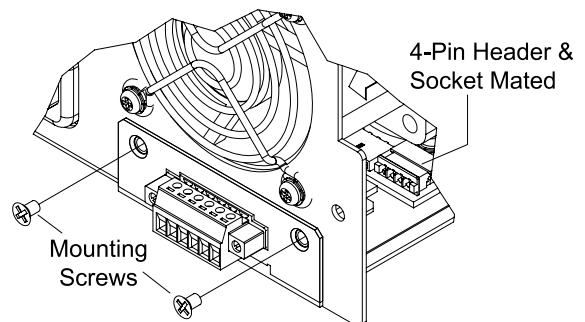


Figure 4: Securing the DCR to Chassis

8. Reinstall the power supply into the chassis, using the Power Supply Replacement procedure in the ION219-A chassis manual, 33412.