



## भारतीय मानक ब्यूरो

(उपभोक्ता मामले, खाद्य एवं सार्वजनिक वितरण मंत्रालय, भारत सरकार)

### BUREAU OF INDIAN STANDARDS

(Ministry of Consumer Affairs, Food & Public Distribution, Govt. of India)

मानक भवन, 9 बहादुर शाह जफर मार्ग, नई दिल्ली - 110002  
Manak Bhavan, 9 Bahadur Shah Zafar Marg, New Delhi - 110002  
दूरभाष / Phone: +91-11-23230856/2323010131/23233375/23239402  
ई-मेल / E-mail: registration@bis.gov.in  
वेबसाइट / Website: <https://bis.gov.in/>, <https://www.crsbis.in/BIS/>

#### Revised Letter

Our Ref: Registration/CRS 2021-0763/R-41179523

Date:13-01-2022

#### Subject : Licence Document

|                      |  |  |
|----------------------|--|--|
| MANUFACTURING UNIT : | Hana Microelectronics Public Company Limited<br>NO. 101/2 MOO 4, EPZ NORTHERN REGION INDUSTRIAL ESTATE, <b>CHIANGMAI - LAMPANG ROAD</b> , TAMBOL BAAN<br>KLANG, AMPHUR MUANG LAMPHUN<br>LAMPHUN,Thailand-51000<br>napassanun@lpn.hanabk.th.com<br>66053581565588 |  |
|----------------------|--|--|

Dear Sir,

1. With reference to your Application, we are pleased to inform you that it has been decided to grant you licence as per details given below :

|                                       |  |
|---------------------------------------|--|
| Product Category :                    | Automatic Data Processing Machine  |
| Product Name :                        | SERVER (ADPM)  |
| IS NO :                               | IS 13252(PART 1):2010/ IEC 60950-1 : 2005  |
| Brand (As Declared by Manufacturer) : | LANTRONIX  |
| Model :                               | [Brand -> LANTRONIX, Models -> SLC80322201, SLC80482201, SLC81161201]  |
| Factory Address :                     | NO. 101/2 MOO 4, EPZ NORTHERN REGION INDUSTRIAL ESTATE, <b>CHIANGMAI - LAMPANG ROAD</b> , TAMBOL BAAN<br>KLANG, AMPHUR MUANG LAMPHUN<br>LAMPHUN,Thailand-51000 |

2. The Licence is being granted for your unit located at the address and for the brand and models mentioned at serial no 1 above.

3. The number assigned to this Licence is **R-41179523** which has been made operative from **23-02-2021** and is valid upto **22-02-2023** . The Licence Number should invariably be referred to in your future correspondence.

4. The rights and privileges under the licence shall not be exercised by any other factory / organization at any other location. This licence is not transferable. In the event of shifting of the manufacturing machinery from the registered premises to some other place use of the Licence Number shall be stopped and BIS shall be informed.

5. The licensee shall comply with the provisions of the Act, rules and regulations framed thereunder and as amended from time to time.

6. The licensee shall follow the guidelines for the use of Standard Mark and labeling requirements as per Annex-I.

7. The licensee shall not use the licence in any manner which contravenes the provisions of Act, rules and regulations framed thereunder and as amended from time to time.

8. Upon expiry of validity, stoppage or suspension or cancellation of licence, you shall discontinue forthwith the self declaration of conformity to the relevant Indian Standard(s) and withdraw all promotional and advertising matter which contains any reference thereto.

9. As per your declaration, **Mr. Subramanian Seetharaman, Director -Technical Services, Lantronix India Private Limited(Address- 2nd Floor, Wing 2, Block B Cyber Gateway, Hi-Tech City, Madhapur, Hyderabad, Rangareddy, Telangana, 500081, India,NA)** is your authorized Indian representative. Any intended change in the name of the Indian representative ought to be brought to our notice immediately along with requisite fees and document.

10. For renewal of licence, the licensee shall have to apply to BIS three months in advance before expiration of the licence and application form for renewal is available on BIS website

11. The licence is not transferable. Kindly acknowledge receipt of this letter.

Thanking you,

Yours faithfully,  
(Vinod Kumar)  
Sc. C  
Telfax : +91-11-23230856  
E-mail: registration@bis.gov.in

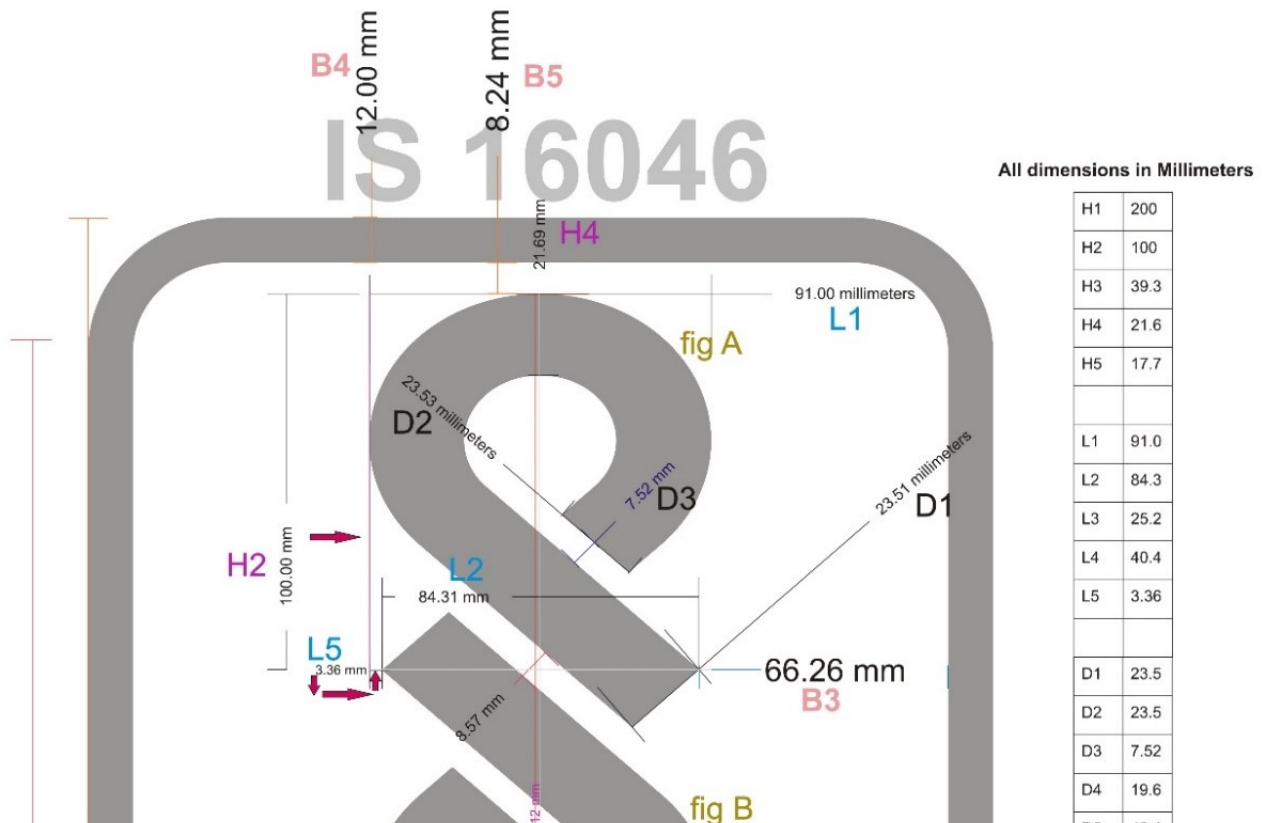
Note: This is a system generated letter. Hence signature is not required.  
To verify authentication of letter, kindly scan the QR code on this letter.

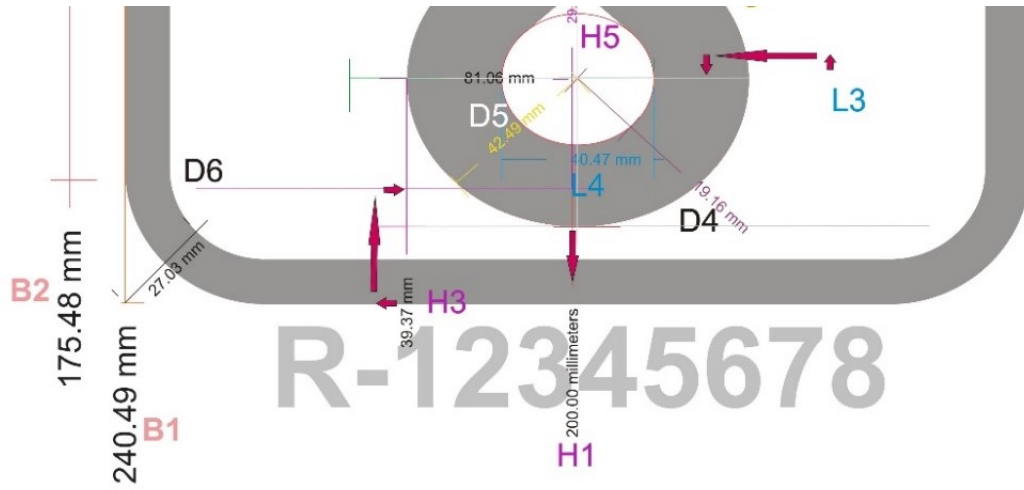
**Annex - 1**

The guidelines for use of Standard Mark for Scheme-C are per 3(1) of BIS (Conformity Assessment) Regulations,2017 are given below:

- i) The monogram of the 'Standard Mark' consists of the pictorial representation, drawn in the exact style as indicated in the figure in the figure in Annexure I. Its photographic reduction and enlargement is permitted.
- ii)The 'Standard Mark' can be displayed in single colour or multi-colour as per the details given below. The colour scheme for the Standard Mark to be used in multi colour shall be use as indicated below.
- iii) The licensee shall display the 'Standard Mark' on the article and/or the packaging, as the case may be, in a manner so as to be easily visible. It shall be legible, indelible and non-removable. Further, the durability of marking shall be as per the provisions of the relevant Indian Standard, wherever applicable. The display of IS number and words shall not be less than Arial font size 6.
- iv) Any device with a integrated display screen may present the Standard Mark electronically (e-labelling) in lieu of a physical presentation on the product.

Measurement for the Self Declaration of Conformity(SDoC) mark





|    |        |
|----|--------|
| D5 | 42.4   |
| D6 | 8.57   |
| B1 | 240.49 |
| B2 | 175.48 |
| B3 | 66.26  |
| B4 | 12.00  |
| B5 | 8.24   |

For multicolour Standard Mark the colour scheme shall be - Red, Blue and Black.

- a) For printing purposes, colours shall be "Oriental Blue" and "Monopol Red" as per IS 1222:1992. 'Ink, duplicating for twin cylinder rotary machines (third revision)'
- b) For sign board purposes, colours shall be "French Blue" (No.166) Red" (No.537) as per IS 5:1994 "Colours for ready mixed paints and enamels (fourth revision)".

For single colour Standard Mark, there is no restriction in the choice of the colour.

The font style and size used is Arial-85 pt.





## भारतीय मानक ब्यूरो

(उपभोक्ता मामले, खाद्य एवं सार्वजनिक वितरण मंत्रालय, भारत सरकार)

### BUREAU OF INDIAN STANDARDS

(Ministry of Consumer Affairs, Food & Public Distribution,  
Govt. of India)

मानक भवन, 9 बहादुर शाह जफर मार्ग, नई दिल्ली - 110002  
Manak Bhavan, 9 Bahadur Shah Zafar Marg, New Delhi - 110002  
दूरभाष/Phone: +91-11-23230856/2323010131/23233375/23239402  
ई-मेल/E-mail: registration@bis.gov.in  
वेबसाइट/Website: <https://bis.gov.in/>, <https://www.crsbis.in/BIS/>

#### Original Letter

Our Ref: Registration/CRS 2021-0763/R-41179523

Date:23-02-2021

#### Subject : Licence Document

|                      |  |
|----------------------|--|
| MANUFACTURING UNIT : | Hana Microelectronics Public Company Limited<br>NO. 101/2 MOO 4, EPZ NORTHERN REGION INDUSTRIAL ESTATE, CHIANGMAI LAMPANG ROAD, TAMBOL BAAN KLANG, AMPHUR MUANG LAMPHUN LAMPHUN,Thailand-51000<br>napassanun@lpn.hanabk.th.com<br>66053581565588 |
|----------------------|--|

Dear Sir,

1. With reference to your Application, we are pleased to inform you that it has been decided to grant you licence as per details given below :

|                                       |  |
|---------------------------------------|--|
| Product Category :                    | Automatic Data Processing Machine  |
| Product Name :                        | SERVER (ADPM)  |
| IS NO :                               | IS 13252(PART 1):2010/ IEC 60950-1 : 2005  |
| Brand (As Declared by Manufacturer) : | LANTRONIX  |
| Model :                               | [Brand -> LANTRONIX, Models -> SLC80322201, SLC80482201, SLC81161201]  |
| Factory Address :                     | NO. 101/2 MOO 4, EPZ NORTHERN REGION INDUSTRIAL ESTATE, CHIANGMAI LAMPANG ROAD, TAMBOL BAAN KLANG, AMPHUR MUANG LAMPHUN LAMPHUN,Thailand-51000 |

2. The Licence is being granted for your unit located at the address and for the brand and models mentioned at serial no 1 above.

3. The number assigned to this Licence is **R-41179523** which has been made operative from **23-02-2021** and is valid upto **22-02-2023** . The Licence Number should invariably be referred to in your future correspondence.

4. The rights and privileges under the licence shall not be exercised by any other factory / organization at any other location. This licence is not transferable. In the event of shifting of the manufacturing machinery from the registered premises to some other place use of the Licence Number shall be stopped and BIS shall be informed.
5. The licensee shall comply with the provisions of the Act, rules and regulations framed thereunder and as amended from time to time.
6. The licensee shall follow the guidelines for the use of Standard Mark and labeling requirements as per Annex-I.
7. The licensee shall not use the licence in any manner which contravenes the provisions of Act, rules and regulations framed thereunder and as amended from time to time.
8. Upon expiry of validity, stoppage or suspension or cancellation of licence, you shall discontinue forthwith the self declaration of conformity to the relevant Indian Standard(s) and withdraw all promotional and advertising matter which contains any reference thereto.
9. As per your declaration, **Mr. Subramanian Seetharaman, Director -Technical Services, Lantronix India Private Limited(Address- 2nd Floor, Wing 2, Block B Cyber Gateway, Hi-Tech City, Madhapur, Hyderabad, Rangareddy, Telangana, 500081, India,NA)** is your authorized Indian representative. Any intended change in the name of the Indian representative ought to be brought to our notice immediately along with requisite fees and document.
10. For renewal of licence, the licensee shall have to apply to BIS three months in advance before expiration of the licence and application form for renewal is available on BIS website
11. The licence is not transferable. Kindly acknowledge receipt of this letter.

Thanking you,

Yours faithfully,  
(Vinod Kumar)  
Sc. C  
Telfax : +91-11-23230856  
E-mail: registration@bis.gov.in

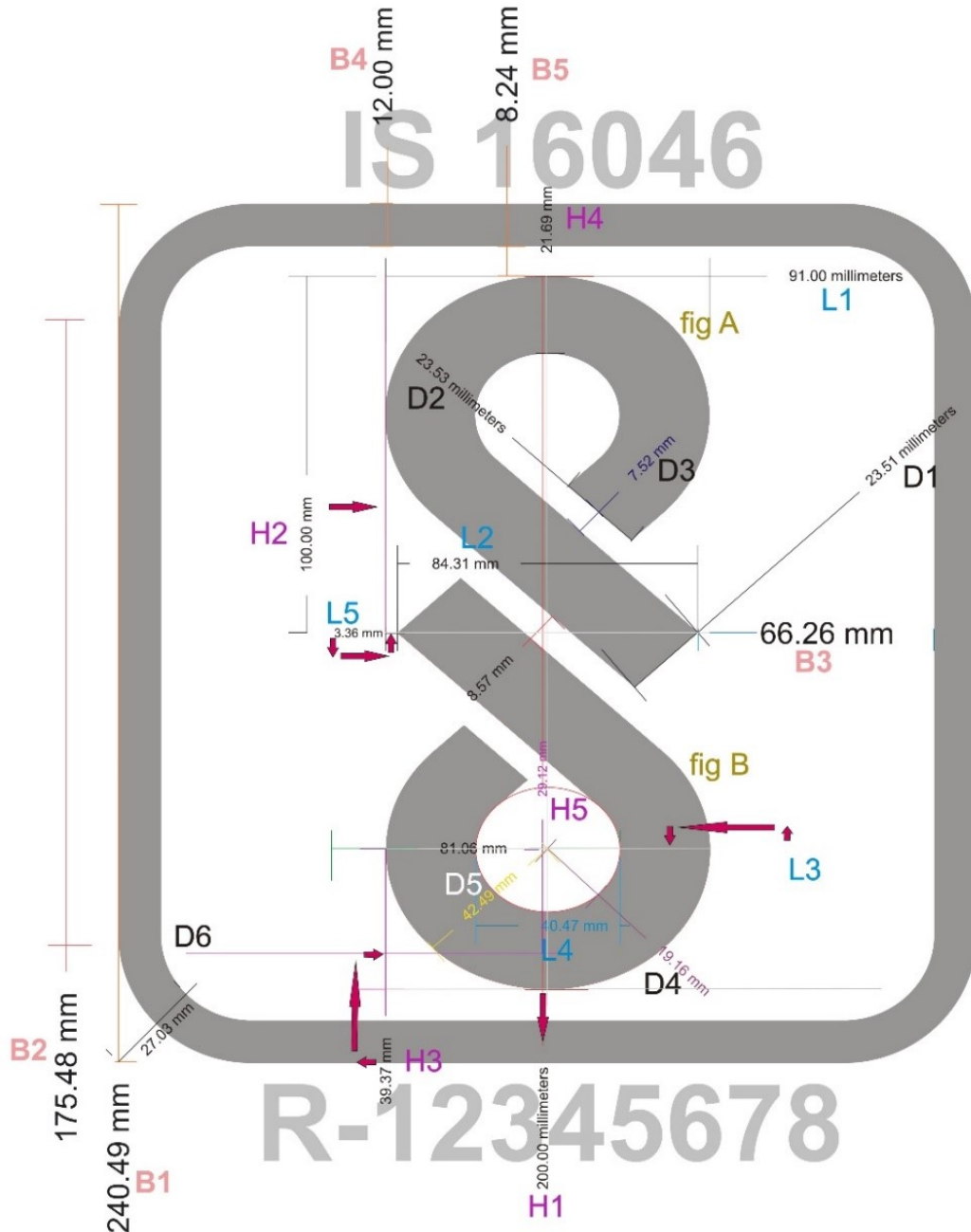
Note: This is a system generated letter. Hence signature is not required.  
To verify authentication of letter, kindly scan the QR code on this letter.

#### Annex - 1

The guidelines for use of Standard Mark for Scheme-C are per 3(1) of BIS (Conformity Assessment) Regulations,2017 are given below:

- i) The monogram of the 'Standard Mark' consists of the pictorial representation, drawn in the exact style as indicated in the figure in the figure in Annexure I. Its photographic reduction and enlargement is permitted.
- ii)The 'Standard Mark' can be displayed in single colour or multi-colour as per the details given below. The colour scheme for the Standard Mark to be used in multi colour shall be use as indicated below.
- iii) The licensee shall display the 'Standard Mark' on the article and/or the packaging, as the case may be, in a manner so as to be easily visible. It shall be legible, indelible and non-removable. Further, the durability of marking shall be as per the provisions of the relevant Indian Standard, wherever applicable. The display of IS number Registration number and words shall not be less than Arial font size 6.
- iv) Any device with a integrated display screen may present the Standard Mark electronically (e-labelling) in lieu of a physical presentation on the product.

Measurement for the Self Declaration of Conformity(SDoC) mark



All dimensions in Millimeters

|    |        |
|----|--------|
| H1 | 200    |
| H2 | 100    |
| H3 | 39.3   |
| H4 | 21.6   |
| H5 | 17.7   |
| L1 | 91.0   |
| L2 | 84.3   |
| L3 | 25.2   |
| L4 | 40.4   |
| L5 | 3.36   |
| D1 | 23.5   |
| D2 | 23.5   |
| D3 | 7.52   |
| D4 | 19.6   |
| D5 | 42.4   |
| D6 | 8.57   |
| B1 | 240.49 |
| B2 | 175.48 |
| B3 | 66.26  |
| B4 | 12.00  |
| B5 | 8.24   |

For multicolour Standard Mark the colour scheme shall be - Red, Blue and Black.

- a) For printing purposes, colours shall be "Oriental Blue" and "Monopol Red" as per IS 1222:1992. 'Ink, duplicating for twin cylinder rotary machines (third revision)'
- b) For sign board purposes, colours shall be "French Blue" (No.166) Red" (No.537) as per IS 5:1994 "Colours for ready mixed paints and enamels (fourth revision)".

For single colour Standard Mark, there is no restriction in the choice of the colour.

The font style and size used is Arial-85 pt.

IS .....



For details information on BIS, consult the e-BIS Portal ([www.manakonline.in](http://www.manakonline.in)).  
Please use BIS CARE APP for verification of ISI-marked goods and hallmarked gold jewellery.