


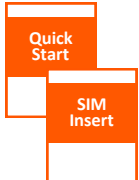
X304 Quick Start Guide

IoT Cellular Gateway



Thank you for choosing Lantronix. Please register your product to receive notifications for firmware and documentation updates at www.lantronix.com/product-registration.

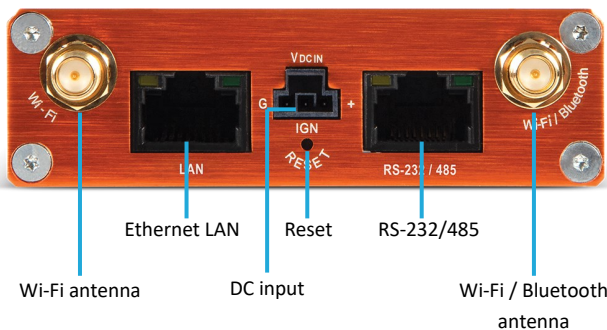
WHAT'S IN THE BOX

X304	GUIDES	ACCESSORY	PART NUMBER	QUANTITY
		Power cord	ACC-520-0165-00	1
		Cellular antenna	A33M0	1
		Wi-Fi / Bluetooth antenna	A21H0	2

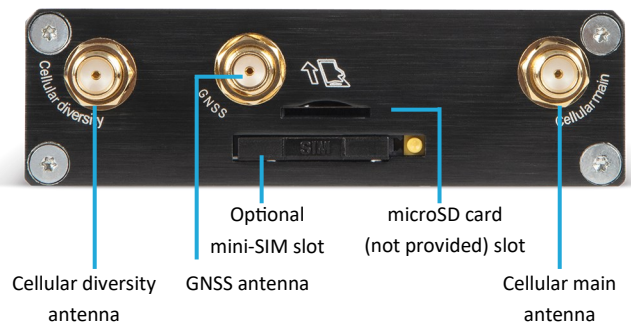
For additional accessories, visit <https://www.lantronix.com/products/x300-series/>

HARDWARE OVERVIEW

Front View



Back View



One embedded SIM is provided.

HARDWARE SETUP

1. Unbox and verify the contents.
2. To insert the optional SIM card, press the yellow SIM tray button (using a pen tip or other similar object) to eject the SIM tray. Place the SIM card on the SIM tray in the correct orientation. Gently push the SIM tray back into the SIM slot. **Note:** Activate the SIM according to the vendor's instructions.
3. Attach the cellular antenna to its connectors and tighten it securely.
4. Attach the Wi-Fi / Bluetooth antennas to their connectors and tighten them securely.
5. Connect the accessory power adapter; attach the 3-pin plug to the DC input the device side and the other end to the power outlet.
6. Wait for the device to boot. The green POWER LED light will be on.

LEDs		
ALERT	Red	Device alert
Activity	Amber	Cellular data activity
Network	Amber	Cellular network status
Signal	Amber	Cellular signal strength
SIM	Blue	- On: Embedded SIM in use - Blink: External SIM in use - Off: SIM not in use
Wi-Fi	Blue	Wi-Fi network status
POWER	Green	Power

(See X300 User Guide for details.)



LOG INTO THE GATEWAY

Note: The DHCP client must be enabled on your computer to obtain a valid IP address from the gateway. Refer to your computer's operating system documentation if you need details.

To connect using Wi-Fi: In the computer's Wi-Fi network settings, select the gateway's Wi-Fi access point SSID and click Connect. Enter the default WPA/WPA2 key when prompted.

To connect using Ethernet: Attach one end of a Cat 5 cable to the unit's LAN port and the other end to the computer's LAN port.

1. To log into the Web Admin interface, open a web browser and type the unit's LAN IP address, 192.168.1.1, in the URL field.
2. On the first login, enter the root user name and password. It will prompt you to change all passwords at once.

Note: Change the initial password for both the root and admin users before configuring the gateway.

Default Credentials

Access Point SSID

Parameter	Default Value
SSID	Lantronix-<model>-<serial-number>
WPA/WPA2 Key	W1rele\$\$

Web Admin Console

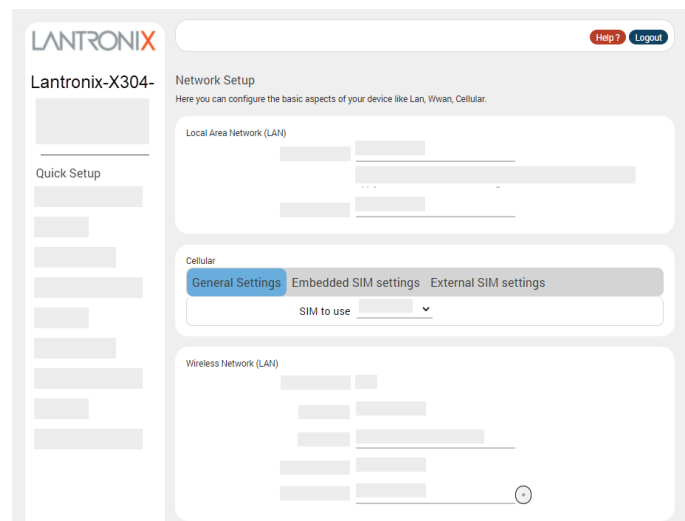
User name	Default Password
admin	admin
root	L@ntr0n1x

QUICK SETUP

To configure the network interfaces:

1. Log into the Web Admin interface and click the **Quick Setup** menu.
2. Click the **Quick Setup** button to display the Network Setup page, where you can configure the LAN, Cellular, and Wireless LAN (access point) network interfaces.
3. To configure the cellular connection, scroll to the Cellular section. On the General Settings tab next to SIM to use, select **Embedded SIM** or **External SIM** as the primary SIM to use. If **External SIM** is selected, click the External SIM settings tab and configure it.
4. Click **Save & Apply**. If you changed the LAN address, select and click **Apply unchecked** to avoid rolling back the configuration.

Note: Use the Lantronix Connectivity Services SIM Management Portal to manage the provided SIM card.



LANTRONIX SERVICES



Scan for product information
www.lantronix.com/mylantronix/

Technical Support Visit www.lantronix.com/technical-support