



SM24TBT4XPA Quick Start Guide



Thank you for choosing Lantronix. Please register the SM24TBT4XPA in order to receive notifications for firmware and documentation updates at www.lantronix.com/product-registration.

What's In The Box

Quick Start

SM24TBT4XPA

Accessories

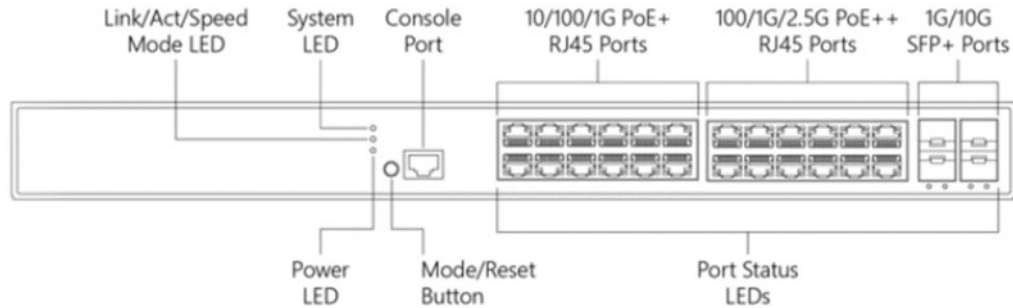
START



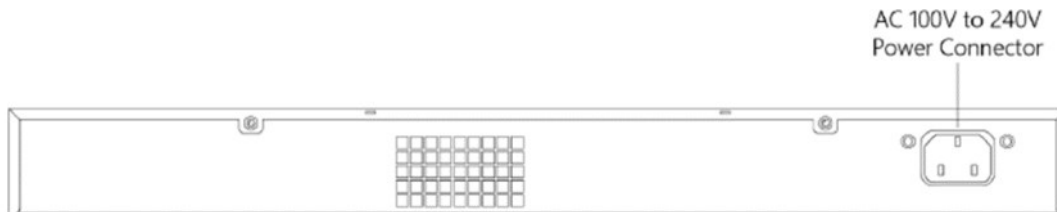
SM24TBT4XPA

AC Power Cord x1	DB9F to RJ45 Cable x 1
DB9F to RJ45 Cable x1	Screws x 8
19" Ear Rack Kit x2	Rubber feet x4
Console Port cable x1	LTX Insert Card x1
Quick Start Guide x1	

1. Hardware Overview



SM24TBT4XPA Front Panel



SM24TBT4XPA Back Panel

2. Install SM24TBT4XPA Hardware

Prepare to Install

1. Unbox and verify the contents.
2. Review and follow the safety information in the Install Guide.
3. Ensure that the computer used to access the SM24TBT4XPA web UI has an Ethernet port and Internet access, a recent Web browser and/or a terminal emulator running, and an RJ-11 port.

Install SM24TBT4XPA Hardware

1. Desktop: Place the provided 4 Rubber feet on bottom of SM24TBT4XPA.
2. 19" Rack: Use the 2 Rack Mount Ears and screws to mount the SM24TBT4XPA.



SM24TBT4XPA Quick Start Guide

3. Connect SM24TBT4XPA Ports

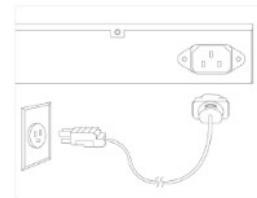
Caution: If using PoE Force mode, only connect PDs which support power input in the 48~56V range to prevent damage to PDs. See the Web User Guide for details.

Caution: PoE device components may fail due to transient voltage spikes on the PoE line. It is strongly suggested that a surge suppressor be used on each PoE port.

1. Power off the devices connected to the SM24TBT4XPA.
2. Attach a serial cable between the SM24TBT4XPA and each serial device.
3. Connect the SM24TBT4XPA Combo Eth1 port to your Ethernet network. Connect an Ethernet cable

4. Connect to Power

1. Insert the power cord plug into the back of the SM24TBT4XPA.
2. Plug the other end of the power cord into an AC wall outlet.
3. Check the PWR LED. If lit, the power connection is correct.



5. Initial Switch Setup

Via Web UI: For the initial configuration stage, you must reconfigure your PC's IP address and subnet mask to make sure the PC can communicate with the switch. After changing the PC's IP address you can access the switch Web UI using the switch's default IP address as described below.

1. Power up the PC to use for initial configuration. Make sure the PC has an Ethernet RJ45 connector to be connected to the switch via standard Ethernet LAN cable.
2. Reconfigure the PC's IP address and Subnet Mask as below, so it can communicate with the switch.
3. Power up the switch to be initially configured and wait until it has finished its start-up process.
4. Connect the PC to any port on the switch using a standard Ethernet cable, and check the port LED on the switch to make sure the link status of the PC is OK.
5. Run a Web browser on the PC; enter the factory default IP address (**192.168.1.77**) and default Subnet Mask (**255.255.255.0**) to access the switch Web UI. If your PC is configured correctly, the Login page displays.
6. Enter the factory default username (**admin**) and password (**admin**) on the login page.
7. Click "Login" to log into the switch. See the Web User Guide for more information.



Via CLI: The CLI (Command Line Interface) can be accessed via telnet or SSH. A brief description of the network connection is provided below. The RJ-45 to DB9 Serial Console cable is used for connecting a terminal or PC/terminal emulator to the Switch's RJ-45 port to access the CLI.

1. Attach the RJ-45 end of the serial port cable to the Console port on the switch's front panel.
2. Attach the DB-9 end of the cable to an ASCII terminal or to a PC's COM port (e.g., a PC running HyperTerminal or PuTTY; requires a PC COM port).
3. At the "Com Port Properties" Menu, configure the parameters Baud rate=115200, Stop bits=1, Data bits=8, Parity=N, Flow control=none. See the CLI Reference for more information.

Initial Switch Configuration: When you log in to the switch the first time, a First Time Wizard is displayed. On subsequent power ups, you can perform switch configuration using a web browser. See the Web User Guide for First Time Wizard information and for managing switch features.



SM24TBT4XPA Quick Start Guide

After first login with a new device or after resetting the device to factory defaults, you should change the factory default password before any other SM24TBT4XPA configuration is done. The password should have at least 8 characters and at least 1 uppercase character, 1 lowercase character, 1 numeric character (0-9), and 1 special character.

6. Switch Configuration

The startup page provides basic SM24TBT4XPA configuration.

Here you can configure basic device functions such as System Name and Contact and view parameters such as Firmware Version, Uptime, Serial Number, MAC Address, etc.

From the startup page you can also access the other main menu selections, such as IP, Ports, LLDP, DMS, Perception, etc.

See the SM24TBT4XPA Web User Guide for additional information.

System Information	Value
Model Name	SM24TBT4XPA
System Description	12 ports 10M/100M/1G PoE+ RJ45 + 12 ports 100M/1G PoE+ RJ45 + 4 ports 100/1000 PoE+ RJ45
Location	
Contact	
System Name	lantronix
System Date	2024-05-01T09:04:00.00
System Uptime	00:07:12
Bootloader Version	V1.05
Firmware Version	v8.56.0149.2024-05-26
Pod Firmware Version	239-355
Hardware Version	v5.01
Mechanical Version	v3.01
Serial Number	A212114R500001
MAC Address	08-00-47-58-11-c2
Fan Speed	14700rpm
Temperature 1	33(C)
Temperature 2	33(C)
Temperature 3	33(C)
CPU Load (30s, 1s, 1m)	0%, 9%, 49%

Support



Scan for product information:
<https://www.lantronix.com/mylantronix/>

Contact Technical Support

For technical support queries, visit
<https://www.lantronix.com/technical-support>.

For the latest firmware downloads, visit
<https://www.lantronix.com/mylantronix/>.