

SESPM-4P-FMK Fiber Management Kit

Option Install Guide

Installing SESPM-4P-FMK Option Kit in SESPM1040-541-LT-xx Switch



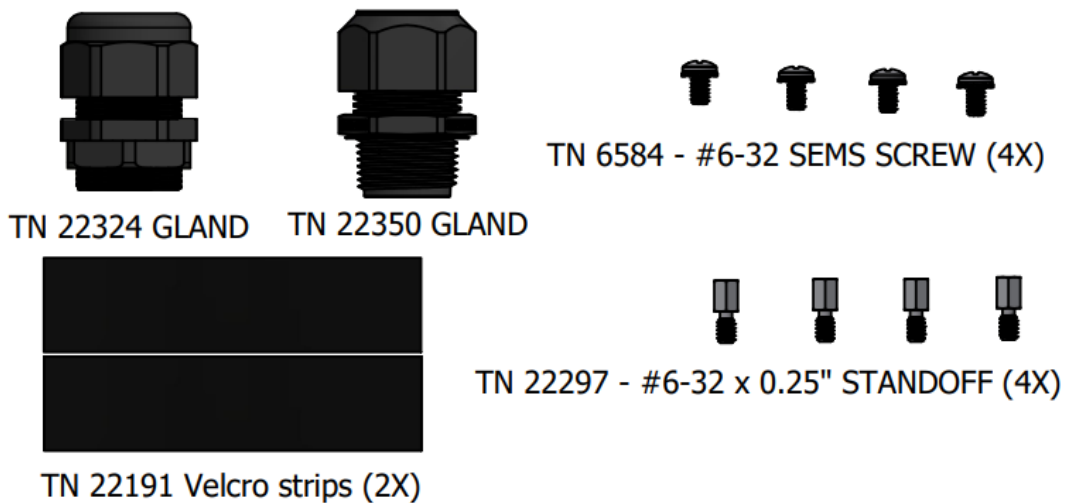
The Fiber Management Kit (FMK) lets you easily route and connect fiber to the SESPM1040-541-LT switch. The Fiber Management Tray mounts on top of the power supply safety cover.

For installing SESPM-4P-FMK in a Lantronix outdoor cabinet to support fiber to other Lantronix switches, see “Alternative Mounting Options” at the end of this manual.

SESPM-4P-FMK Parts List

QTY	DESCRIPTION
1	Manual, SESPM-4P-FMK Option Install Guide
4	Screws, SEMS, #6-32
1	Packaging, 2 x 3”, 2MIL Reclosable Poly Bag
1	Splice Tray, Plastic, Base & Cover (in Plastic Bag)
1	Round hole wire gland to accommodate a fiber cable diameter of 6.4 to 12.4 mm max.
1	Oval hole wire gland to accommodate a flat fiber cable 3.5 mm x 15.5 mm max.
4	Standoffs for Air Flow (#6-32)
2	¾ x 3” hook and loop adhesive strip pairs

Note: the package of four Screws and Ty-wrap inside the splice tray cannot be used. Please discard appropriately. The hook and loop adhesive strips are only used in Alternative Mounting.



Wire gland opening sizes available for the entrance locations of the fiber and cables: There are (2) 7mm holes in each wire gland standard on the switch. The Fiber Management Kit comes with (1) replacement wire gland with a single oval shaped hole to accommodate max 3.5mm x 15.5mm sized fiber cable and (1) replacement wire gland with a single round hole to accommodate a range of 6.4 to 12.4mm fiber cable. As you tighten the wire gland nut, the insert squeezes tight around the cable. This meets IP67 rating.

FMK Install Procedure

To install in an SESPM1040-541-LT-xx switch:

1. Make sure switch is powered off. See the *SESPM1040-541-LT-xx Install Guide* for important Cautions and Warnings.
2. Unpack the kit and verify the contents prior to sending to the install site.
3. Insert flat blade screwdriver into slot and lift to remove cover from Fiber Tray.
4. Use pliers to knock out bottom left tab to allow fiber input (circled in Figure 1 below).
5. Insert Standoffs for Air Flow.
6. Attach Fiber Tray to power supply cover using the four SEMS Screws and Standoffs. See Figure 2 below.
7. Replace wire glands if necessary to accept specific fiber cable type.
8. Route fiber through wire gland into fiber tray; see [Wire Routing and Splicing](#) on page 5.
9. Splice fiber; see [Wire Routing and Splicing](#) on page 5.
10. Coil excess fiber using spool tabs.
11. Route fiber to SFPs.
12. Insert terminated end of fiber into slots (see Figure 3 below).
13. Run fiber patch cord from terminated end of fiber to SFP (see Figure 6 below). A short fiber patch cord is recommended so excess fiber doesn't bunch and bend.
14. Replace cover on Fiber Tray (see Figure 5 below).

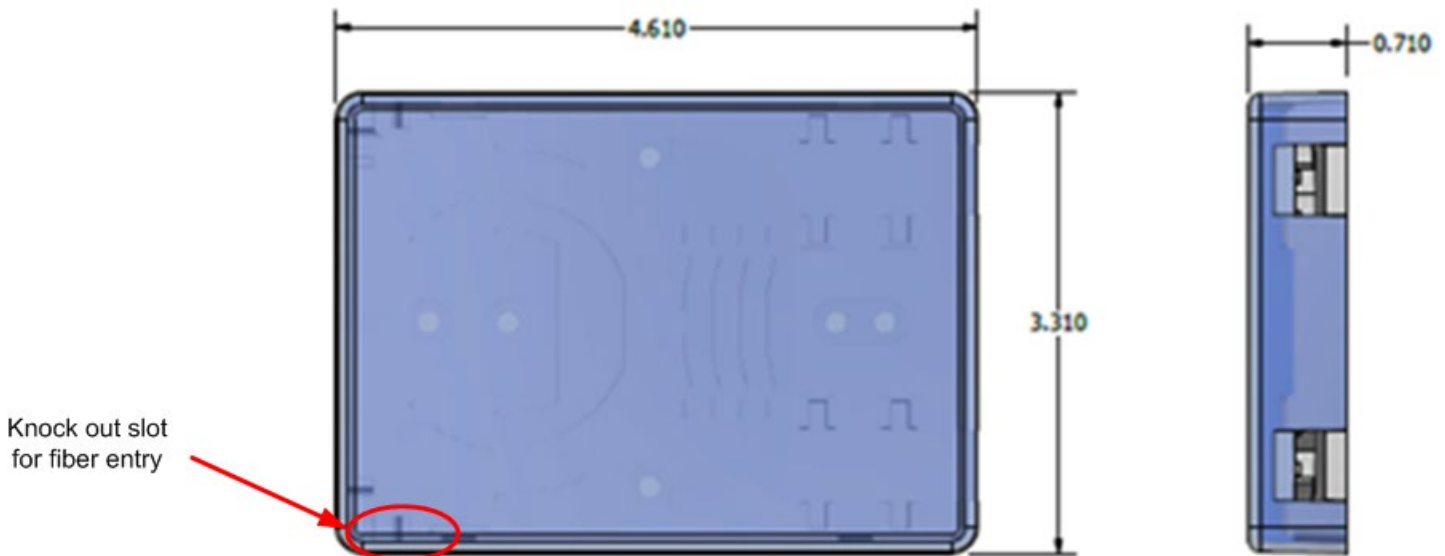


Fig. 1: Fiber Tray Dimensions

FMK Assembly

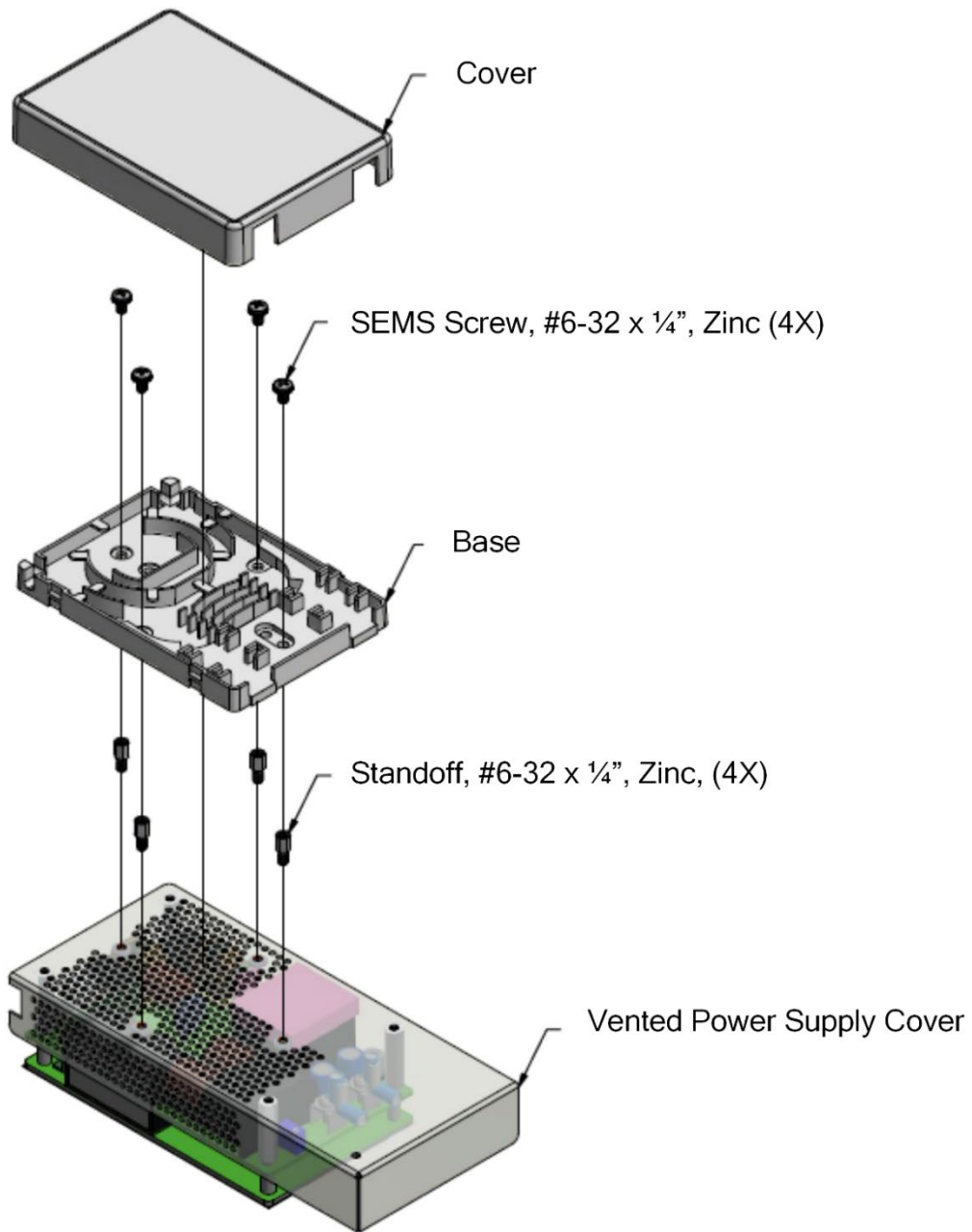


Fig. 2: FMK Assembly

FMK Mounting

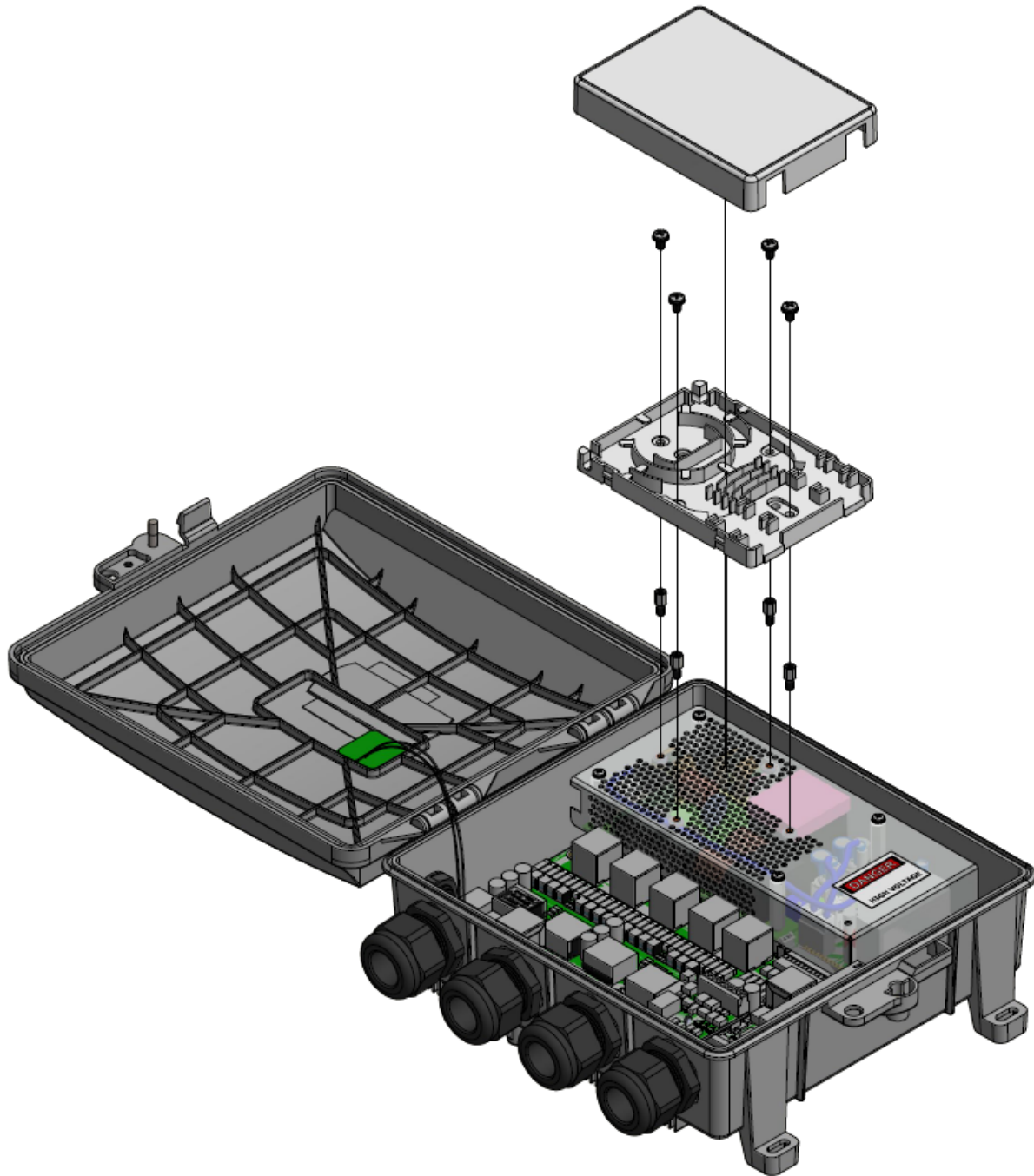


Fig. 3: FMK Mounting

Product Views

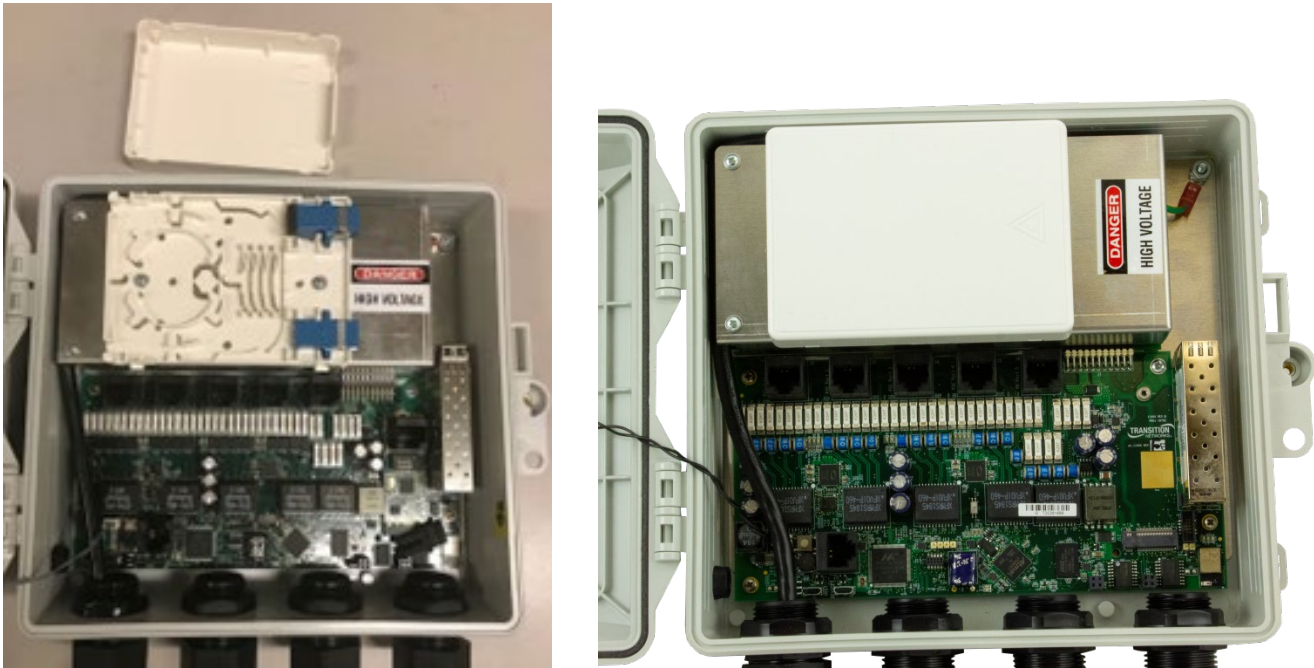


Fig. 4: SESP1040-541-LT-AC with Fiber Management Kit Installed

Wire Routing and Splicing Information

The SESP1040-541-LT-AC Fiber Management Kit allows wire routing /splicing within a protective case for protection against outside plant environment and damage. Preparing cables for splice closures involves several steps that should be followed in the exact sequence specified by the cable manufacturer to ensure the cables are properly secured and the closure will seal. For every splice closure, it is important to follow the cable manufacturer's instructions. Fiber splice sleeve minimum is 35 mm; standard 40 mm splice is recommended.

The FOA (Fiber Optic Association, Inc.), the non-profit professional society of fiber optics, provides extensive fiber optic Technical Help, Certification, Training, etc.

Fusion Splicing for virtually all SM (single mode) fiber splices: See the [Reference Guide To Fiber Optics](#).

Mechanical Splicing: Mechanical splices may be preferred for MM (multi mode) fiber, unless it is an underwater or aerial application, where the greater reliability of the fusion splice is preferred. See the FOA Topic: [Outside Plant Fiber Optic Splicing and Termination](#).

Troubleshooting

1. Make sure the switch is operating properly.
2. Make sure that the fiber, SFPs, and fiber patch cord are good.
3. Verify the splicing was done properly.
4. Record any operating details (LEDs flashing, etc.).
5. Contact Technical Support.



Fig. 5: Fiber Tray with Fiber (Installed)

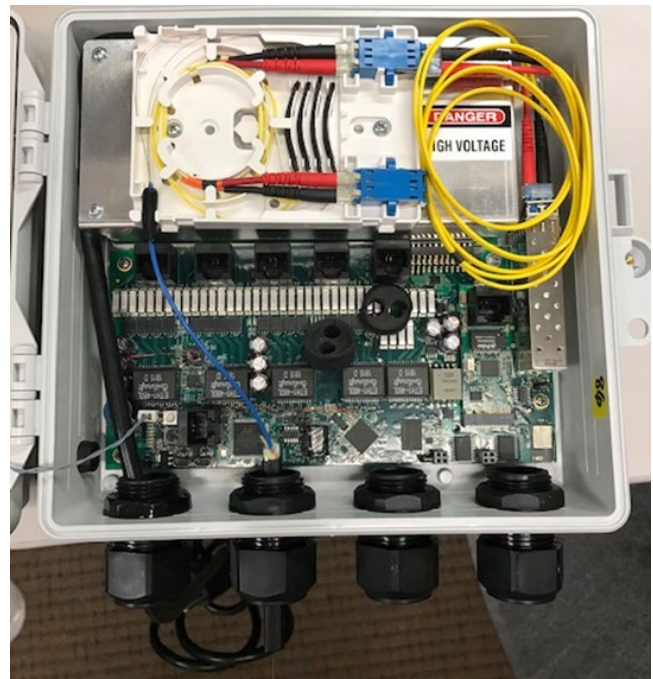


Fig. 6: Fiber Tray with Fiber Installed and Coiled



Fig. 7: Fiber Tray with Fiber Installed and Coiled with Lid On

Alternative Mounting Option

A secondary usage of the SESPM-4P-FMK is to mount it inside a Lantronix outdoor cabinet to support fiber to other Lantronix switches. To mount FMK in a Lantronix Outdoor Cabinet (OCA-series cabinet):

1. Make sure the cabinet surface is clean before mounting.
2. Use the enclosed adhesive-backed hook and loop strips to apply to the back of the fiber management tray and to the desired location inside the cabinet (preferably near the point of fiber termination). **Note:** Using screws to apply the FMK to the cabinet will void the IP/NEMA rating and cabinet warranty.

Lantronix: 48 Discovery, Suite 250, Irvine, CA 92618, USA. Toll Free: 800-526-8766. Phone: 949-453-3990. Fax: 949-453-3995. **Technical Support** [online](#). **Sales Offices** [online](#).

© 2022, 2023 Lantronix, Inc. All rights reserved. *Lantronix* is a registered trademark of Lantronix, Inc. in the United States and other countries. All other trademarks and trade names are the property of their respective holders.