

SESPM-4P-PMB Pole Mount Bracket Kit

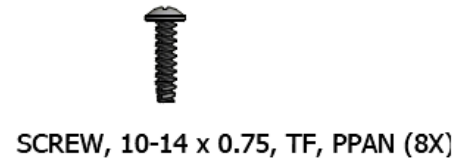
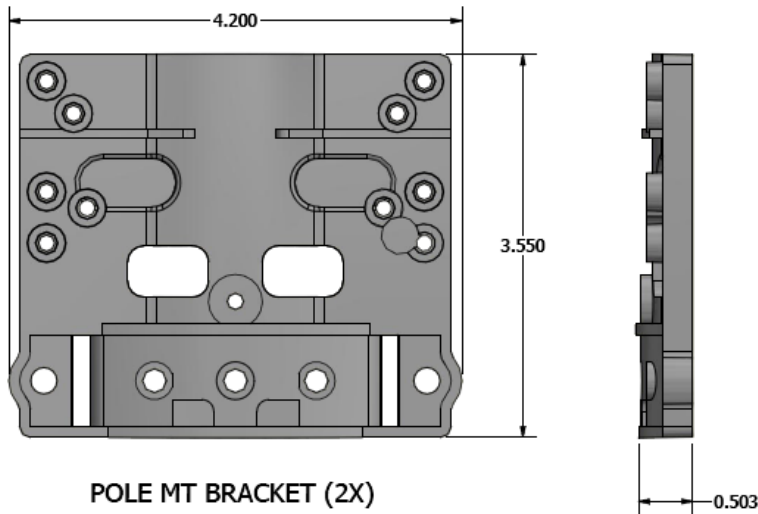
Option Install Guide

SESPM1040-541-LT-xx Switch Pole Mounting Using Optional Pole Mount Bracket SESPm-4P-PMB



Note: The switch should be mounted to a pole using screws, pole straps, or rubber-lined zip ties (not included as pole sizes can vary).

Note: SESPm-4P-PMB installation is slightly different for the SESPm1040-541-LT-AC and -DC versions (machine screws are needed in 2 places to attach to the heatsink) versus the -PD version (self-tapping screws can be used).



SESPm-4P-PMB Parts List

Qty	DESCRIPTION
1	Packaging, 6 x 6, 2MIL Reclosable Poly Bag
1	Manual, SESPm-4P-PMB Option Install Guide
2	Pole Bracket, 010685, Plastic, POE++
8	Screw, Self-Tapping, SEMS, #6-32 X 0.5"
2	Screw, Machine, TF, PPAN, 10-14 x 0.75
1	Packaging, 2 x 3, 2MIL Reclosable Poly Bag

On the -PD version the 8 large screws are used for mounting the brackets. (There will be 2 small screws left unused.)

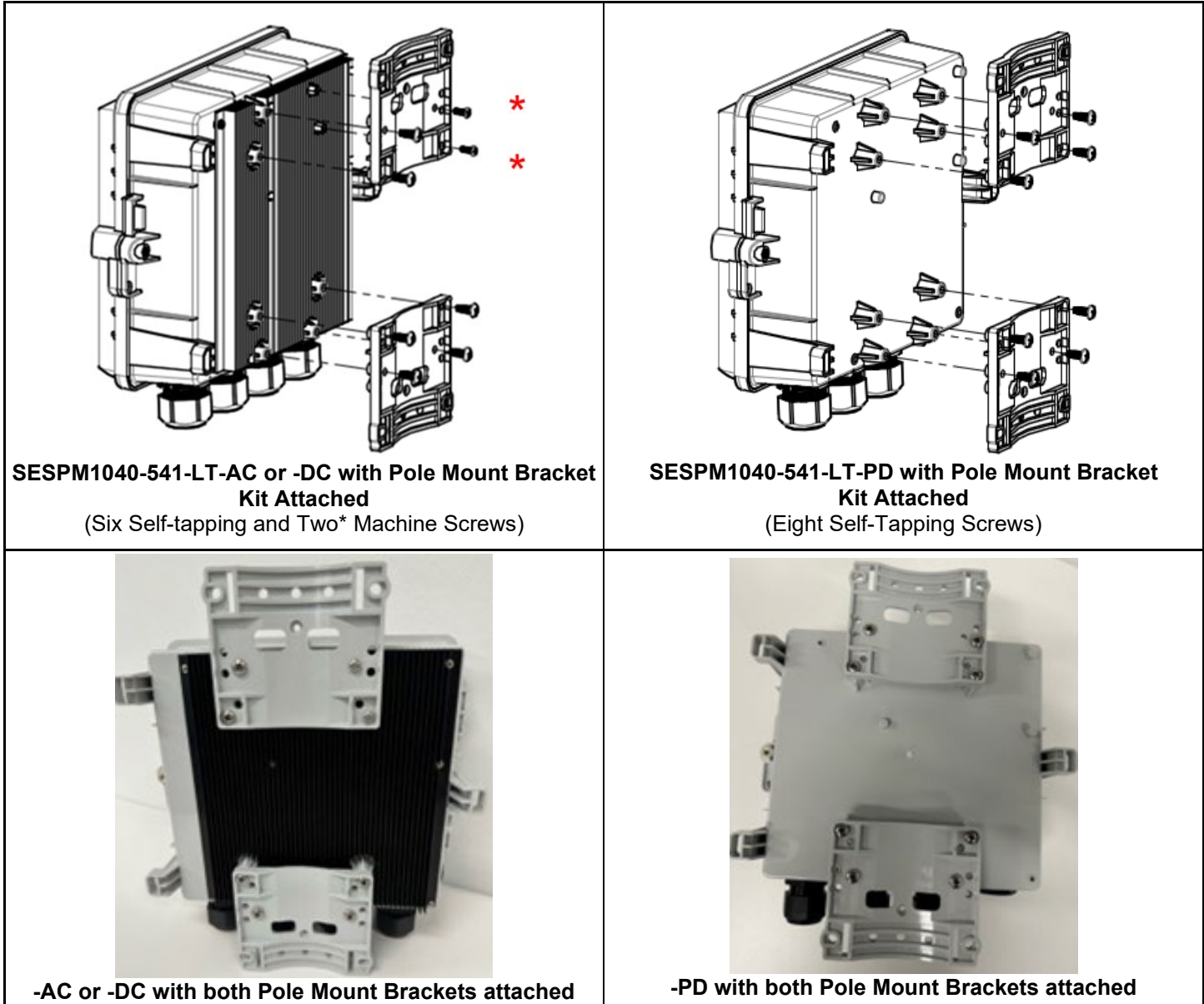
For the -AC and -DC versions, 6 large screws and the 2 small screws are used. (There will be 2 large screws unused.)

Note that the right screw hole positions on the upper brackets are different for the -PD version than for the -AC and -DC versions of the switch.



SESPM-4P-PMB Install Procedure

1. See the *SESPM1040-541-LT-xx Install Guide* for important Cautions and Warnings.
2. Unpack the kit and verify the contents.
3. Mount brackets:
 - a. On the -AC and -DC switch, position upper bracket as shown, insert two machine screws and two self-tapping screws on upper bracket as shown and four machine screws in lower bracket as shown below.
 - b. On the -PD switch, position upper bracket as shown, insert four Self-Tapping Screws in upper bracket; then repeat for lower bracket.
4. Mount switch with attached SESPM-4P-PMB to the pole. For metal poles, use pole straps or rubber-lined zip ties (not included) to secure the switch to the pole. For wooden poles, use screws (not included) to secure the switch to the pole.



Note that the right screw hole positions on the upper brackets are different for the -PD version than for the -AC and -DC versions of the switch.

Lantronix: 48 Discovery, Suite 250, Irvine, CA 92618, USA. Toll Free: 800-526-8766. Phone: 949-453-3990. Fax: 949-453-3995. **Technical Support** [online](#). **Sales Offices** [online](#). © 2022, 2023 Lantronix, Inc. All rights reserved. *Lantronix* is a registered trademark of Lantronix, Inc. in the United States and other countries. All other trademarks and trade names are the property of their respective holders.