

RMS19-SA4-02 Tray Install Guide

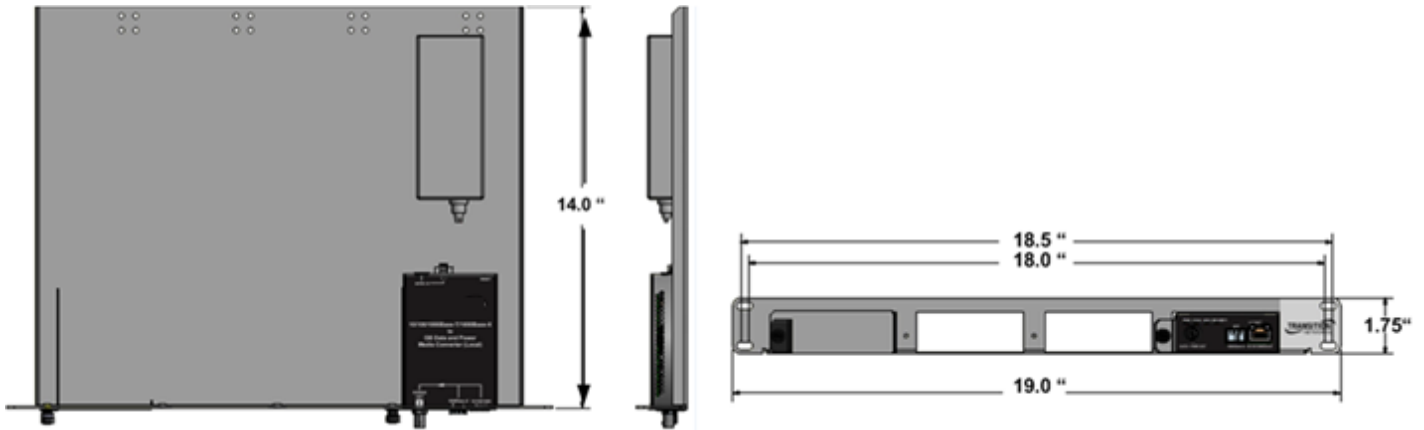
Rack Tray for Stand-alone Media Converters



These instructions are for mounting a Lantronix Ethernet Extender or Media Converter (MC) to the RMS19-SA4-02 Tray and then to a 19" Rack. See the related rack documentation for important safety information. See the Ethernet Extender or Media Converter User Guide for related information.



Dimensions



Parts

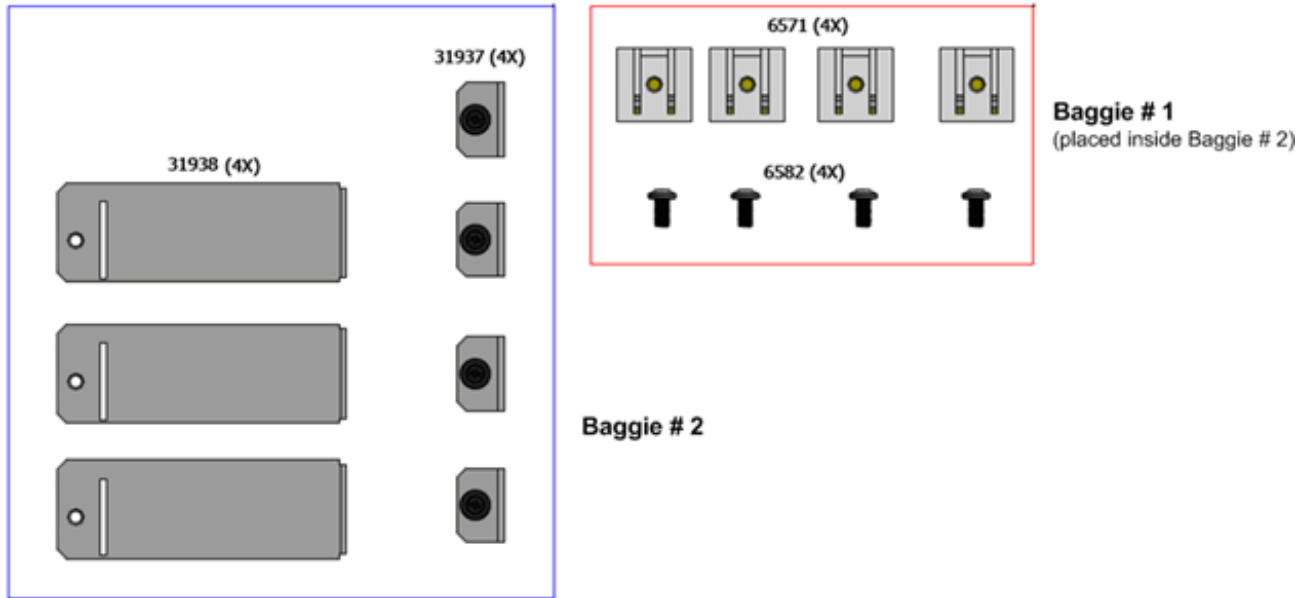
Quantity	Description
1	19 Inch RM Tray (RMS19-SA4-02)
3	Front Blank Bracket for RMS19-SA4-02
4	Clamp, Split Flat Cable
4	Screws, PN 6582 #10
4	Side Bracket, RMS19-SA4-02
1	RMS19-SA4-02 Tray Install Guide (this document)

The side brackets are designed for both Point System and ION converters to mount flush with the front of the RMS19-SA4-02 Tray. The RMS19-SA4-02 Tray is a "light duty" tray that can support a maximum weight load of 12 lbs (5.4 kgs). See the [RMS19-SA4-02 product page](#) for features, specs, accessories, and additional resources.



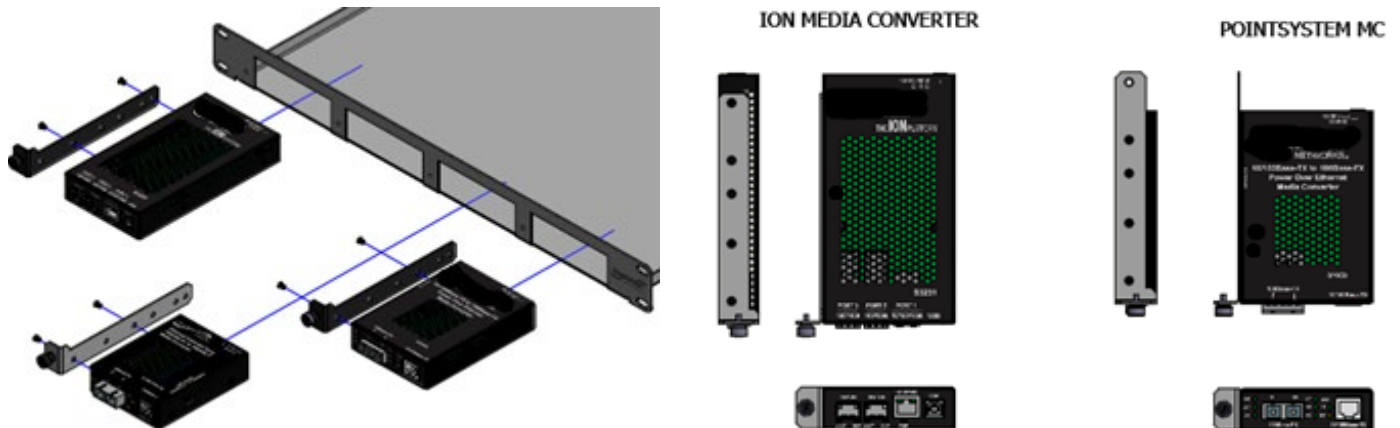
(Media Converters Sold Separately)

Packaging



Procedure

1. Remove the packaging; save for possible future use.
2. Attach the Side Bracket (31937) to the Media Converter.
3. On the Media Converter to be installed in the RMS19-SA4-02, remove and retain the two #4 black side screws from the left side of the Media Converter and set aside for reuse.
4. Attach Side Bracket to the ION or Point System Media Converter re-using two #4 black side screws. Align to mount the MC flush with the front of the RMS19-SA4-02 Tray.
5. Slide the Media Converter assembly into an open slot of the RMS19-SA4-02, securing with Panel Fastener. Repeat as needed for other MCs.
6. Lay the un-powered Media Converter power supply on the tray and connect the power supply cable to the Media Converter.
7. Secure cables using Cable Clamps supplied by removing adhesive back and placing where needed.
8. To cover an open slot, place a Front Blank (31938) over the slot, slipping a Side Bracket (31937) into the vertical slot of the Front Blank and secure with Panel Fastener. Repeat as needed.
9. Use four #10 screws to secure the Tray to the EIA 19 inch Rack.



Lantronix Corporate Headquarters: 48 Discovery, Suite 250, Irvine, CA 92618. Toll Free: 800-526-8766; Phone: 949-453-3990; Fax: 949-453-3995; Technical Support [E-mail](mailto:techsupport@lantronix.com).