



M/GE-T-xxx-01

Mini Media Converter

1000Base-T to 1000Base-SX/LX

User Guide

Intellectual Property

© 2022, 2023 Lantronix, Inc. All rights reserved. No part of the contents of this publication may be transmitted or reproduced in any form or by any means without the written permission of Lantronix.

Lantronix is a registered trademark of Lantronix, Inc. in the United States and other countries. All other trademarks and trade names are the property of their respective holders.

Patented: patents.lantronix.com; additional patents pending.

Warranty

For details on the Lantronix warranty policy, please go to <http://www.lantronix.com/support/warranty>.

Contacts

Lantronix Corporate Headquarters

48 Discovery, Suite 250
Irvine, CA 92618, USA
Toll Free: 800-526-8766
Phone: 949-453-3990
Fax: 949-453-3995

Technical Support

<https://www.lantronix.com/technical-support/>

Sales Offices

For a current list of our domestic and international sales offices, go to www.lantronix.com/about/contact.

Disclaimer

All information contained herein is provided "AS IS." Lantronix undertakes no obligation to update the information in this publication. Lantronix does not make, and specifically disclaims, all warranties of any kind (express, implied or otherwise) regarding title, non-infringement, fitness, quality, accuracy, completeness, usefulness, suitability or performance of the information provided herein. Lantronix shall have no liability whatsoever to any user for any damages, losses and causes of action (whether in contract or in tort or otherwise) in connection with the user's access or usage of any of the information or content contained herein. The information and specifications contained in this document are subject to change without notice.

Revision History

Date	Rev	Notes
04/11/13	A	Initial release.
7/26/19	B	Add MTBF, update LPT description, M/GE-T-SX-01(LC) link budget, and contact information.
6/4/21	C	Add PEM and update technical specifications and certifications.
2/8/23	D	Initial Lantronix rebrand.

Table of Contents

Product Description	4
Ordering Information	4
Optional Accessories (sold separately).....	4
Features	4
Package Contents	5
Installation	5
Observe ESD Precautions	5
Copper and Fiber Ports	5
Connect the Fiber Cable	6
Connect the Twisted-pair Copper Cable	6
Power up the Media Converter	7
Power Adapter	7
Operation.....	7
Status LEDs	7
Features	8
Cable Specifications	8
Technical Specifications.....	10
Troubleshooting	11
Compliance Information	11
Declaration of Conformity	11
CE Mark	12

Product Description

Lantronix M/GE-T Series is a Gigabit Ethernet stand-alone Mini media converter that provides cost effective media conversion between 1000Base-T ports and 1000Base-SX/LX ports. With its fixed configuration, deployments are just plug-and-play, and its small size makes it ideal for locations where space is limited. Operating at Layer 1, the physical layer, data is passed through the converter at line speed, making it ideal for applications where low latency is essential.

Ordering Information

SKU	Description
M/GE-T-SX-01	1000Base-T (RJ-45) [100m/328 ft.] to 1000Base-SX 850nm multimode (SC) [62.5/125 µm fiber: 220 m/722 ft.] [50/125 µm fiber: 550 m/1804 ft.] Link Budget: 7.0 dB
M/GE-T-SX-01(LC)	1000Base-T (RJ-45) [100m/328 ft.] to 1000Base-SX 850nm multimode (LC) [62.5/125 µm fiber: 220 m/722 ft.] [50/125 µm fiber: 550 m/1804 ft.] Link Budget: 8.5 dB
M/GE-T-LX-01	1000Base-T (RJ-45) [100m/328 ft.] to 1000Base-LX 1310m single mode (SC) [10 km/6.2 mi.] Link Budget: 10.5db
M/GE-T-SFP-01	1000Base-T (RJ-45) [100m/328 ft.] to SFP slot (empty)

* Typical maximum cable distance; actual distance depends on the physical characteristics of the network.

Optional Accessories (sold separately)

Product	Description
SFP Modules	See the Lantronix SFP Product page.
SPS-2460-SA	Wide Input DC Power Supply; 24VDC to 60VDC input Stand-alone
M-MCR-01	18-Slot Powered Mini Chassis
WMBM	Wall Mount Bracket for Mini Converter
DRBM	DIN Rail Mount Bracket for Mini
RMBM	Rack Mount Bracket for Mini, use with RMS19-SA4-02 and/or E-MCR-05

Features

- Auto-Negotiation
- Auto-MDI/MDIX
- Automatic Link Restoration
- Interoperable with other 1000Base-T/SX/LX NICs or switch ports
- Status LEDs for easy monitoring
- Supports SFP modules
- Supports Jumbo Frames up to 13312 bytes
- 65% smaller than standard media converter
- Extend Network Distance
- Low-Latency Design
- Fiber Link Pass Through

Package Contents

Make sure you have received the items below. Contact your sales representative if any items are missing. Save the packaging for possible future use.

- One M/GE-PSW-SX-01
- One Power Supply
- One Documentation postcard

Installation

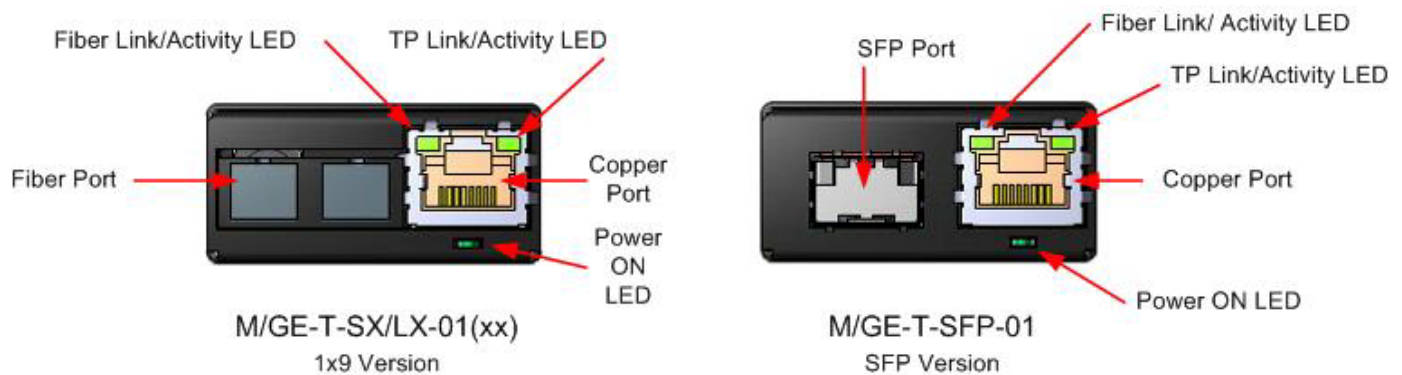
Observe ESD Precautions

Always observe the following ESD (Electrostatic Discharge) precautions when installing or handling the M/GE-T-xxx-01 media converter:

- Do not remove the converter from its protective packaging until you are ready to install it.
- Wear an ESD wrist grounding strap before handling any module or component. If you do not have a wrist strap, maintain grounded contact with the system unit throughout any procedure requiring ESD protection.

Copper and Fiber Ports

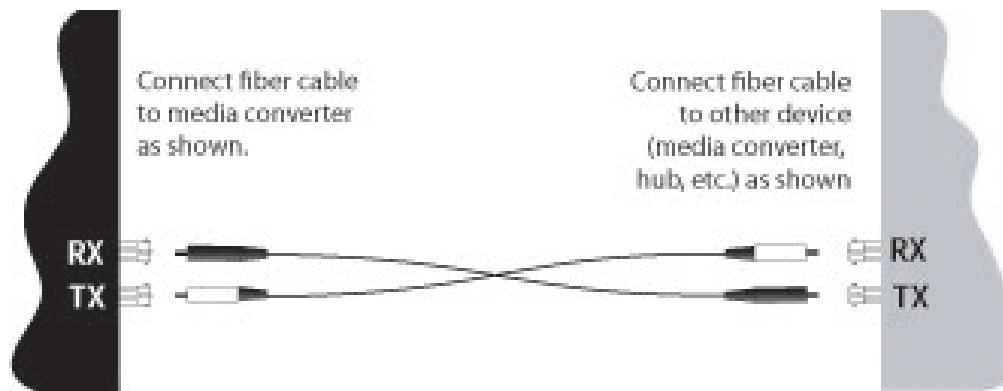
The figure below shows the front panel of the M/GE-T-xxx-01 media converters.



Connect the Fiber Cable

Full duplex (always ON) is on the fiber side only; therefore, the 512-Bit Rule does not apply. The cable lengths are constrained by the cable requirement.

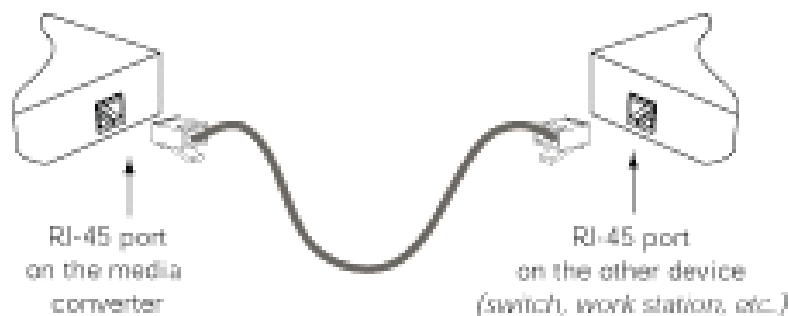
1. Locate or build IEEE 803.2™ compliant 1000Base-X fiber cable with male, two-stranded TX to RX connectors installed at both ends.
2. Connect the fiber cable to the M/GE-T-xxx-01 media converters as follows:
 - Connect the male TX cable connector to the female TX port.
 - Connect the male RX cable connector to the female RX port.
3. Connect the fiber cable to the other device (another media converter, hub, etc.) as follows:
 - Connect the male TX cable connector to the female RX port.
 - Connect the male RX cable connector to the female TX port.



Connect the Twisted-pair Copper Cable

The AutoCross feature allows either MDI (straight-through) or MDI-X (crossover) cable connections to be configured automatically, according to network conditions.

1. Locate or build IEEE 803.2™ compliant 10/100/1000Base-T cables with RJ-45 connectors installed at both ends.
2. Connect the RJ-45 connector at one end of the cable to the RJ-45 port on the M/GE-T-xxx-01 media converter.
3. Connect the RJ-45 connector at the other end of the cable to the RJ-45 port on the other device (switch, workstation, etc.).

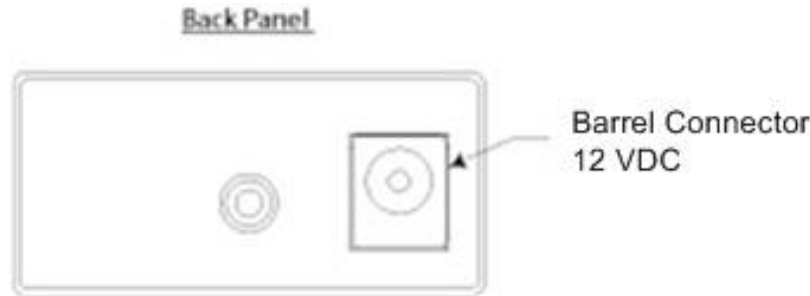


Note: With Fiber Link Pass Through permanently enabled, the copper Link LED only lights when there is a valid fiber link on the converter.

Power up the Media Converter

Power Supply Included: To order the corresponding country specific power supply, add the extension from the list below to the end of the SKU (-NA = North America, -LA = Latin America, -EU = Europe, -UK = United Kingdom, -SA = South Africa, -JP = Japan, -OZ = Australia, -BR = Brazil).

The M/GE-T-xxx-01 media converter is powered by using a DC power adapter through the barrel connector on its rear panel, as shown below.



M/GE-T-xxx-01 Back Panel Power

Power Adapter

AC Power

1. Connect the barrel connector of the power adapter to the media converter's power port (located on the back panel of the media converter).
2. Connect the power adapter plug to AC power.
3. Verify that the media converter is powered up by observing that the front panel LED power (PWR) indicator is lit.

DC Power

Consult the user guide for the Lantronix SPS-2460-SA DC external power supply for powering the media converter.

Operation

Status LEDs

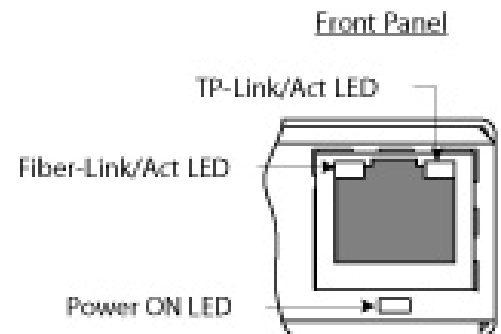
Use the status LEDs to monitor the M/GE-T-xxx-01 media converter operation in the network.

Power Indicator LED

Pwr LED: Green – ON for power applied to board

Ethernet RJ-45 LEDs

(Left) Fiber Port LED	ON – ON for Link (<i>fiber</i>) Blinking – Activity
(Right) TP Port LED	ON – ON for Link (<i>copper</i>) Blinking – Activity



Features

Auto-Negotiation

The M/GE-T-xxx-01 Auto-Negotiation feature is permanently enabled. Auto-Negotiation allows the media converter to configure itself automatically to achieve the best possible mode of operation over a link. It broadcasts speed (1000 Mb/s) and duplex capabilities (full) to the other device and negotiates the best mode of operation. Auto-Negotiation allows quick and easy installation because the optimal link is established automatically.

Auto MDI / MDI-X

The AutoCross feature allows using either straight-through (MDI) or crossover (MDI-X) copper cables. AutoCross determines the characteristics of the connection and automatically configures the device to link up, regardless of the copper cable configuration, MDI or MDI-X.

Automatic Link Restoration

The media converter will automatically re-establish the link when connected to a switch if the link is lost, even with Auto-Negotiation and Link Pass-through (both directions) enabled.

Fiber Link Pass Through (Fiber port only)

Link Pass Through is a troubleshooting feature that prevents media converters from isolating link failures, and it allows end devices to be notified in the event of a loss of link. Link Pass Through provides the media converter with the ability to monitor both the fiber and the copper RX ports for a loss of signal. If a loss of RX signal occurs on one media port, the converter will automatically disable the TX signal on the other port. By shutting down the fiber TX port, the link failure is “passed through” to the remote converter and device. The end device automatically notified of link loss, which prevents loss of valuable data unknowingly transmitted over an invalid link.

Cable Specifications

The physical characteristics must meet or exceed IEEE 802.3™ specifications. Specs may vary between suppliers.

Fiber Cable

Bit Error Rate:	<10 ⁻⁹
Single mode fiber (recommended):	9 μm
Multimode fiber (recommended):	62.5/125 μm
Multimode fiber (optional):	100/140, 85/140, 50/125 μm
M/GE-T-SX-01	850nm multimode
Fiber Optic Transmitter Power:	min: -10.0 dBm max: -4.0 dBm
Fiber Optic Receiver Sensitivity:	min: -17.0 dBm max: -0.0 dBm
Link Budget:	7.0 dB
M/GE-T-SX-01(LC)	850nm multimode
Fiber Optic Transmitter Power:	min: -9.0 dBm max: -3.0 dBm
Fiber Optic Receiver Sensitivity:	min: -18.0 dBm max: -3.0 dBm
Link Budget:	8.5 dB
M/GE-T-LX-01	1310 nm single mode
Fiber-optic Transmitter Power:	min: -9.5 dBm max: -3.0 dBm
Fiber-optic Receiver Sensitivity:	min: -20.0 dBm max: -3.0 dBm
Link Budget:	10.5 dB

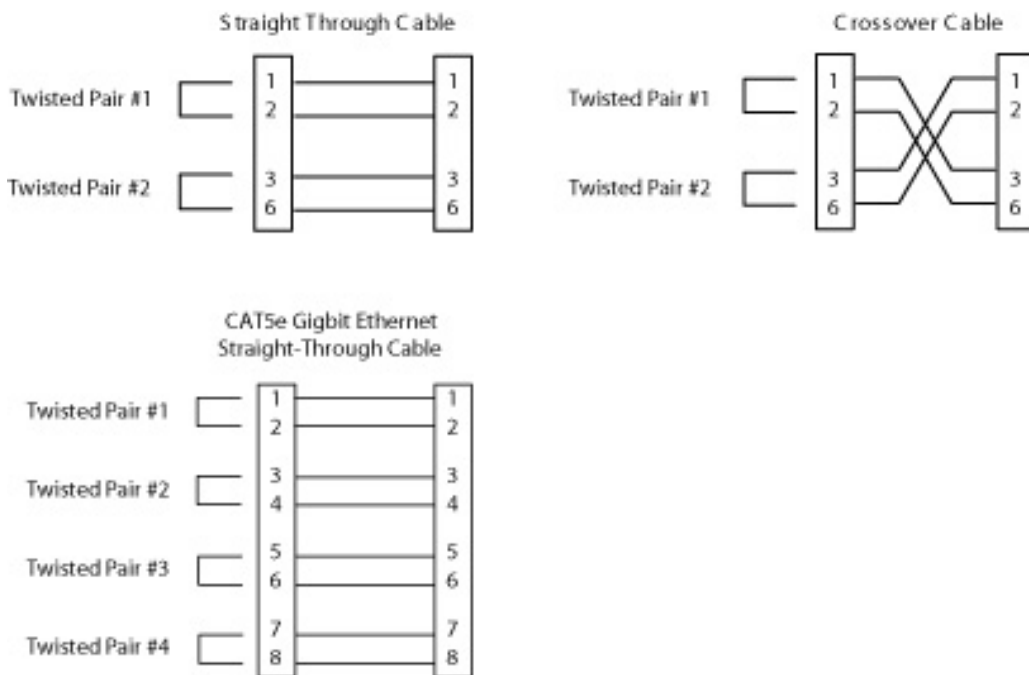
The fiber optic transmitters on this device meet Class I Laser safety requirements per IEC-825/CDRH standards and comply with 21 CFR1040.10 and 21CFR1040.11.

Copper Cable

Categories 5 and 5e: minimum requirement

Gauge	24 to 22 AWG
Attenuation	22.0 dB /100m @ 100 MHz
Maximum Cable Distance	100 meters

- Straight-through or crossover twisted-pair cable may be used.
- Shielded (STP) or unshielded (UTP) twisted-pair cable may be used.
- Pins 1&2 and 3&6 are the two active pairs in an Ethernet network.
- All four pairs are used in a gigabit Ethernet network.
- Use only dedicated wire pairs for the active pins (e.g., *blue/white & white/blue, orange/white & white/orange, etc.*)
- Do not use flat or silver satin wire.



Technical Specifications

For Lantronix M/GE-T-xxx-01 or equivalent:

Standards	IEEE 802.3z, IEEE 802.3ab
Data Rate	1000Mbps
Copper port	RJ-45
Fiber Port connector	ST, SC, and SFP
Jumbo Frames	Up to 13,312bytes (Ethernet port)
DIP Switches / jumpers	None; fixed configurations
Status LEDs	PWR (Power) below RJ-45: On = Power FX-Link/Act (Fiber Link / Activity) Upper Left on RJ-45: On = link, Flashing = Activity TX-Link/Act (Copper Link / Activity) Upper Right on RJ-45: On = link, Flashing = Activity
Dimensions	Width: 1.8" [46 mm] x Depth: 3.3" [85 mm] x Height: 0.85" [22 mm]
Power Consumption	2.6 Watts
Power Supply	External AC/DC required; +12VDC, 0.5A; UL Listed
Power Input	7.5VDC to 13.9VDC
Environment	Operating: 0°C to 50°C Storage: -15°C to 65°C Humidity: 5% to 95% (non-condensing) Altitude: 0 – 10,000 ft.
Weight	2 lbs. [0.90 kg]
MTBF	<u>Unit:</u> Greater than 250,000 Hours (MIL-HDBK-217F) Greater than 687,500 Hours (Bellcore) <u>With Power Supply:</u> Greater than 41,660 Hours (MIL-HDBK-217F) Greater than 114,580 Hours (Bellcore)
Certifications	Safety: Wall Mount Power Supply, UL Listed, cUL Listed (Canada), FCC Class A, CISPR22 / EN55022 Class A, EN55024, CE Mark
Warranty	Lifetime

The fiber optic transmitters on this device meet Class I Laser safety requirements per IEC-825/CDRH standards and comply with 21 CFR1040.10 and 21CFR1040.11.

WARNING: Visible and invisible laser radiation when open. Do not stare into the beam or view the beam directly with optical instruments. Failure to observe this warning could result in an eye injury or blindness.

WARNING: Use of controls, adjustments or the performance of procedures other than those specified herein may result in hazardous radiation exposure.

IMPORTANT: Copper based media ports such as Twisted Pair (TP) Ethernet, USB, RS232, RS422, RS485, DS1, DS3, Video Coax, etc., are intended to be connected to intra-building (inside plant) link segments that are not subject to lightening transients or power faults. Copper-based media ports such as Twisted Pair (TP) Ethernet, USB, RS232, RS422, RS485, DS1, DS3, Video Coax, etc., are NOT to be connected to inter-building (outside plant) link segments that are subject to lightening transients or power faults.

Troubleshooting

If the media converter fails, isolate and correct the failure by determining the answers to the following questions and then taking the indicated action:

1. Is the power LED lit and did the TX and FX LEDs turn ON then turn OFF?
NO
 - Is the power adapter the proper type of voltage and cycle frequency for the AC outlet?
 - Is the power adapter properly installed in the media converter and in the outlet?
 - Contact Tech Support:YES
 - Proceed to step 2.

Note the following:

- As a link pass-through device both copper and fiber cables must be installed before the LEDs will light.
2. Are the “FX-Link” and “TX-Link/Act” LEDs lit on the RJ-45 port?
NO
 - Check the copper cables for proper connection.
 - Check the fiber cables for proper connection.
 - Contact Technical Support:YES
 - Contact Technical Support:

Compliance Information

Declaration of Conformity

Manufacture’s Name: Lantronix, Inc.
Manufacture’s Address: 48 Discovery, Suite 250, Irvine, California 92618 USA
Declares that the products: M/GE-T Series:
M/GE-T-SX-01
M/GE-T-SX-01(LC)
M/GE-T-LX-01
M/GE-T-SFP-01

Conforms to the following Product Regulations:
FCC Part 15 Class A, EN 55032:2012, EN 55024:2010
Directive 2014/30/EU, Directive 2015/863/EU
Low-Voltage Directive 2014/35/EU
IEC /EN 60950-1:2006+A2:2013
2011/65/EU EN 50581:2012

With the technical construction on file at the above address, this product carries the CE Mark

I, the undersigned, hereby declare that the equipment specified above conforms to the above Directive(s) and Standard(s).

Place: Irvine, California
Date: April 27, 2022
Signature: *Fathi Hakam*
Full Name: Fathi Hakam
Position: Vice President of Engineering

CE Mark

FCC Regulations

This equipment has been tested and found to comply with the limits for a Class A digital device, pursuant to Part 15 of the FCC rules. These limits are designed to provide reasonable protection against harmful interference when the equipment is operated in a commercial environment. This equipment generates, uses and can radiate radio frequency energy and, if not installed and used in accordance with the instruction manual, may cause harmful interference to radio communications.

Operation of this equipment in a residential area is likely to cause harmful interference, in which case the user will be required to correct the interference at the user's own expense.

Canadian Regulations

This digital apparatus does not exceed the Class A limits for radio noise for digital apparatus set out on the radio interference regulations of the Canadian Department of Communications.

Le présent appareil numérique n'émet pas de bruits radioélectriques dépassant les limites applicables aux appareils numériques de la Class A prescrites dans le Règlement sur le brouillage radioélectrique édicté par le ministère des Communications du Canada.

European Regulations

Warning

This is a Class A product. In a domestic environment this product may cause radio interference in which case the user may be required to take adequate measures.

Achtung !

Dieses ist ein Gerät der Funkstörgrenzwertklasse A. In Wohnbereichen können bei Betrieb dieses Gerätes Rundfunkstörungen auftreten. In diesem Fall ist der Benutzer für Gegenmaßnahmen verantwortlich.

Attention !

Ceci est un produit de Classe A. Dans un environnement domestique, ce produit risque de créer des interférences radioélectriques, il appartiendra alors à l'utilisateur de prendre les mesures spécifiques appropriées.



In accordance with European Union Directive 2002/96/EC of the European Parliament and of the Council of 27 January 2003, Lantronix will accept post usage returns of this product for proper disposal. The contact information for this activity can be found in the 'Contact Us' portion of this document.



CAUTION: RJ connectors are NOT INTENDED FOR CONNECTION TO THE PUBLIC TELEPHONE NETWORK. Failure to observe this caution could result in damage to the public telephone network.

Der Anschluss dieses Gerätes an ein öffentliches Telekommunikationsnetz in den EGMitgliedstaaten verstößt gegen die jeweiligen einzelstaatlichen Gesetze zur Anwendung der Richtlinie 91/263/EWG zur Angleichung der Rechtsvorschriften der Mitgliedstaaten über Telekommunikationsendeinrichtungen einschliesslich der gegenseitigen Anerkennung ihrer Konformität.

**Lantronix Corporate Headquarters**

48 Discovery, Suite 250
Irvine, CA 92618, USA
Toll Free: 800-526-8766
Phone: 949-453-3990
Fax: 949-453-3995

Technical Support

<https://www.lantronix.com/technical-support/>

Sales Offices

For a current list of our domestic and international sales offices, go to the Lantronix web site at www.lantronix.com/about/contact.