

## IONADP PointSystem Card Adapter for ION Chassis

### Install Guide

- Ease the migration from Point System™ to the ION Platform
- Deploy the Point System™ cards in the ION chassis
- Lengthens a Point System™ card to match the size of the ION card
- Can be used with any Point System™ card
- Manage Point System™ cards in the ION chassis



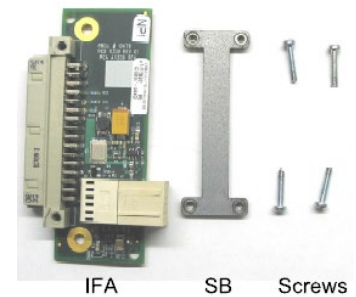
### Kit Purpose

Use to mount Point System™ Converter Modules in an ION Chassis. The IONADP is an adapter card that allows the ION Platform chassis to be backwards compatible with Point System™ modules. This adapter is designed to sit between a Point System™ module and the backplane of the ION chassis. The purpose of the IONADP is to lengthen the Point System™ module so it can be securely mounted in an ION chassis while also connecting to the backplane allowing the ION chassis to power the Point System™ module.

SNMP management of the Point System™ modules installed in the ION chassis is possible by using a Point System™ management module along with IONADP. The ION modules and the Point System™ modules are managed independently by their own respective management modules. The ION management module and the Point System™ management module would each require a unique IP address assigned to them, while Focal Point can be used to access the management information from each management module simultaneously.

### Kit Components

Kit Item	Part Number
Interface Assembly (IFA)	A1-11339
Support Bracket (SB)	31454
2-56 x 3/8: Screw (Qty. 4)	22169



**Caution:** Observe ESD precautions while handling PCBs.

Failure to observe this caution could result in damage to the PCB

### Specifications

Dimensions	Width: 0.5" [12.7 mm] x Depth: 1.25" [31.75 mm] x Height: 2.9" [73.66 mm]
Environment	Environment specs are dependent on the ION chassis chosen
Operating Temp.	0°C to 50°C (32°F to 122°F)
Storage Temp.	-40°C to +85°C (-40°F to +185°F)
Humidity	5% to 95% (non-condensing)
Altitude	0 – 10,000 ft.
Weight	0.5 lbs. [0.22 kg]
Warranty	Lifetime Limited Warranty

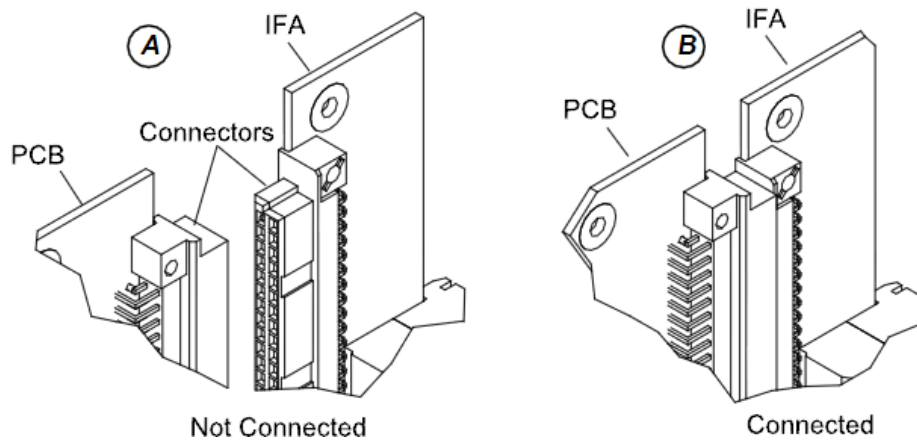
### Revision History

Date	Rev.	Description
1/27/09	A	Initial release.
4/11/17	B	Update format and content.
9/27/18	C	Update specifications.
3/28/22	D	Initial Lantronix rebrand.

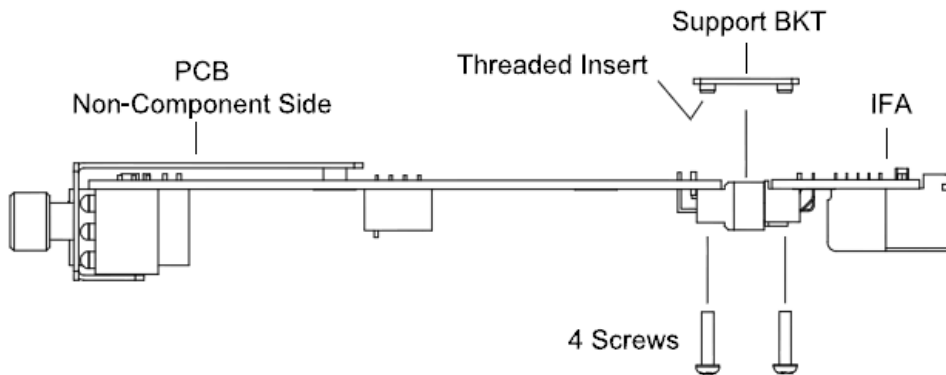
## Install Procedure

To connect the IFA into the chassis card:

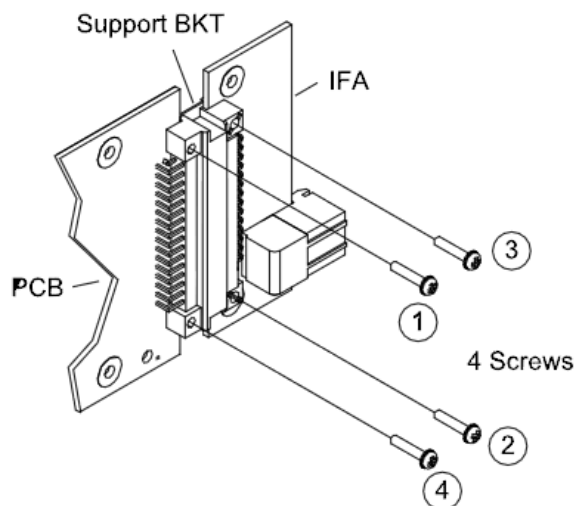
1. Position and insert the IFA into the ION chassis as shown in Figures A and B below.



2. Orient the Assembly as shown. below.
3. Position the support bracket (*threaded inserts toward the PCBs*) as shown below.



4. Reorient the assembly as shown below.
5. Insert each screw (*one at a time*) and screw each down (*not tightening*), following the numbered sequence below.



6. Torque each screw to the same tightness, following the numbered sequence shown above.