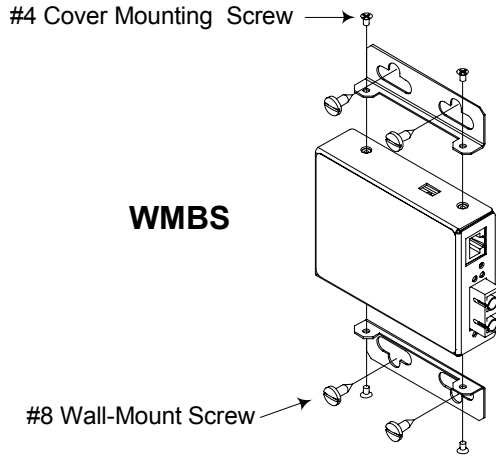


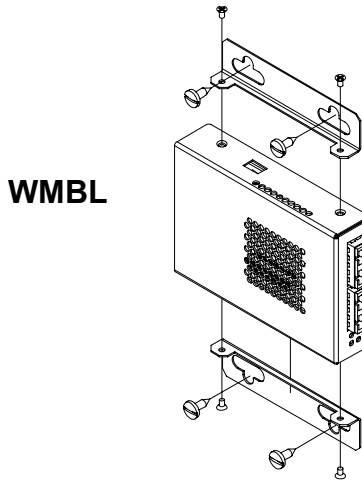
WMBS, WMBL, WMBP, & WMBM Wall-Mount Brackets



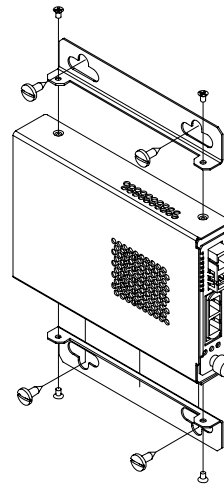
WMBS

These instructions are for mounting the WMBS, WMBP and WMBL Wall-Mount Brackets to a device and then to a surface.

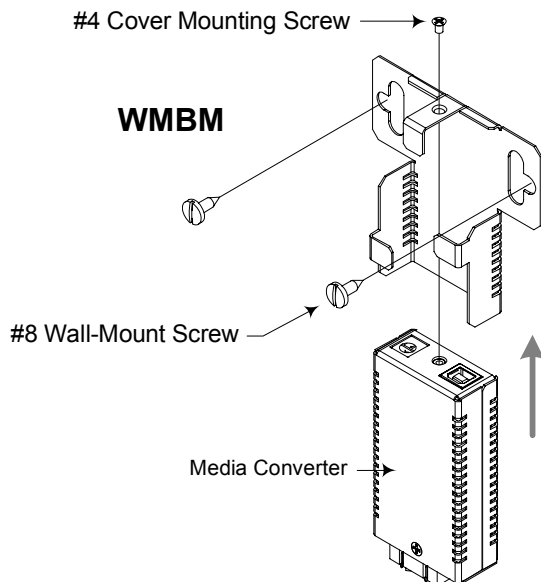
1. Orient the device as shown in the illustration to mount WMBS, WMBL, or WMBP wall-mount bracket.
2. Remove the two #4 Philips head screws securing the cover to the device.
3. Position one side of the bracket assembly as shown in the illustration and mount it to the device, using the the two #4 Philips head screws.
4. Do steps 1 thru 3 to mount the bracket to the other side of the device.
5. Position the device on the mounting surface.
7. Use the four #8 screws to mount the bracket to the mounting surface.



WMBL



WMBP



WMBM

These instructions are for mounting the WMBM Wall-Mount Bracket to the device and then to a vertical surface.

1. Orient the device with its fiber cable connector facing downward as shown in the illustration.
2. Remove the #4 mounting screw from the device.
3. Slide the device into the bracket in the direction indicated by the arrow.
4. Insert the #4 screw into the bracket's mounting hole.
5. Tighten the mounting screw.
6. Position device on the mounting surface.
7. Use the two #8 screws to mount the bracket to the mounting surface.