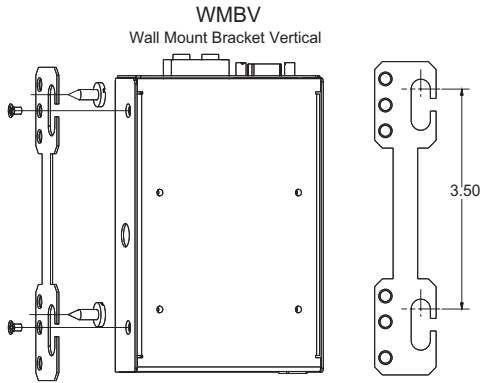
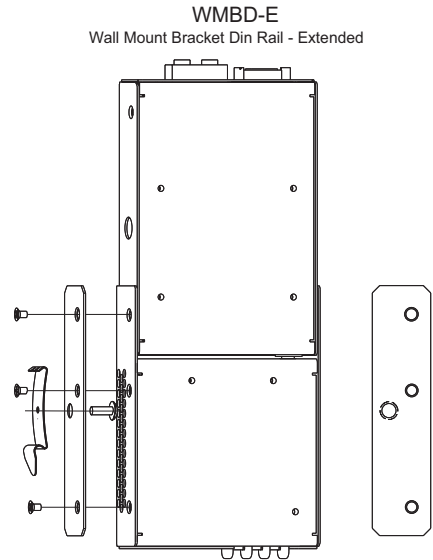


Media Converter Mounting Brackets
WMBV, WMBV-E, WMBD, WMBD-E, WMBD-F, WMBD-FS

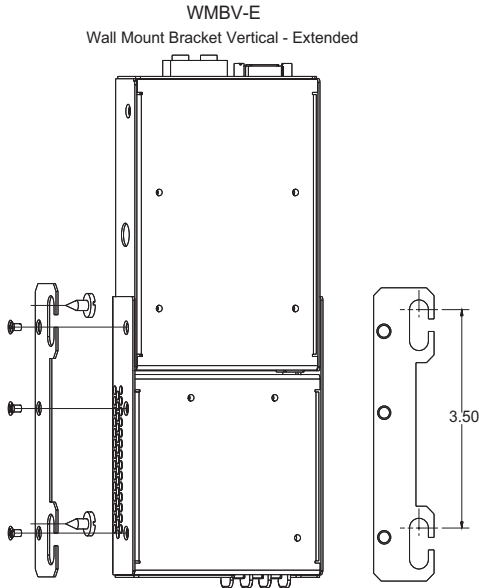
USER'S GUIDE



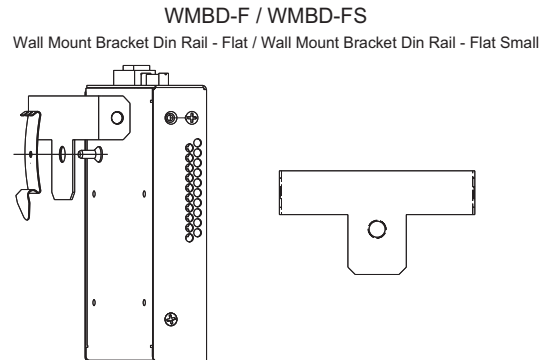
1. INSTALL MOUNTING BRACKET ATTACHMENT SCREWS TO WALL.
2. ATTACH MOUNTING BRACKET TO MEDIA CONVERTER.
3. ATTACH MOUNTING BRACKET/MEDIA CONVERTER TO WALL.



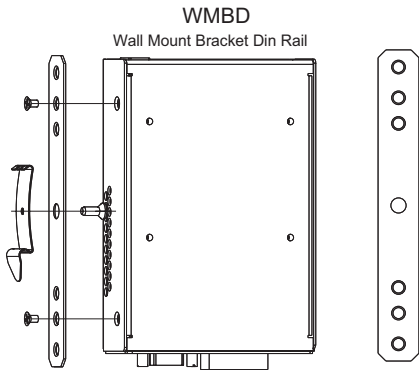
1. INSTALL DIN RAIL CLIP TO MOUNTING BRACKET USING M4 SCREW.
2. ATTACH DIN RAIL CLIP/MOUNTING BRACKET TO MEDIA CONVERTER.



1. INSTALL MOUNTING BRACKET ATTACHMENT SCREWS TO WALL.
2. ATTACH MOUNTING BRACKET TO MEDIA CONVERTER.
3. ATTACH MOUNTING BRACKET/MEDIA CONVERTER TO WALL.



1. INSTALL DIN RAIL CLIP TO MOUNTING BRACKET USING M4 SCREW.
2. ATTACH DIN RAIL CLIP/MOUNTING BRACKET TO MEDIA CONVERTER.



1. INSTALL DIN RAIL CLIP TO MOUNTING BRACKET USING M4 SCREW.
2. ATTACH DIN RAIL CLIP/MOUNTING BRACKET TO MEDIA CONVERTER.

Trademark Notice:

All registered trademarks and trademarks are the property of their respective owners.

Copyright Restrictions:

(c) 2003 TRANSITION Networks.

All rights reserved. No part of this work may be reproduced or used in any form or by any means - graphic, electronic, or mechanical - without written permission from TRANSITION Networks.

Printed in the U.S.A